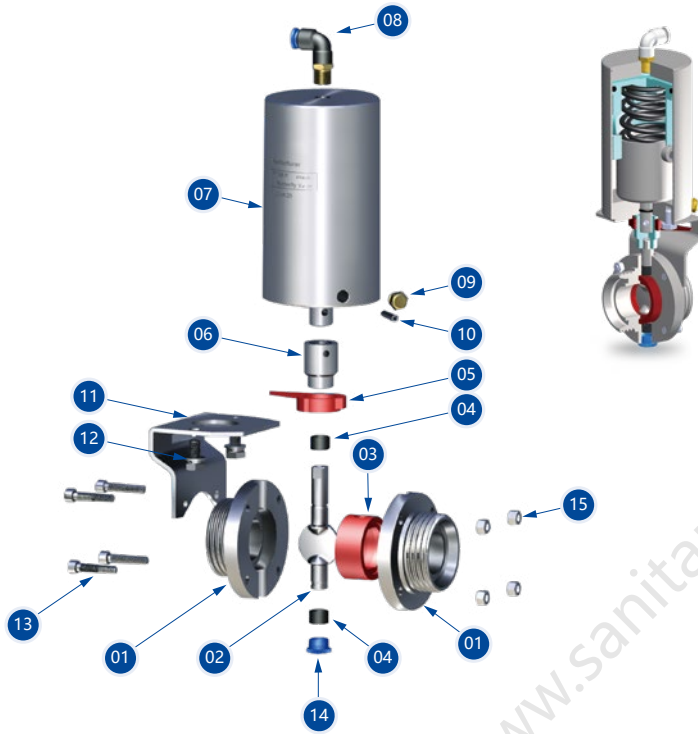




Sanitary Butterfly Valve

Our Core Values: Team, Details, Altruism, Innovation and Embrace Change.

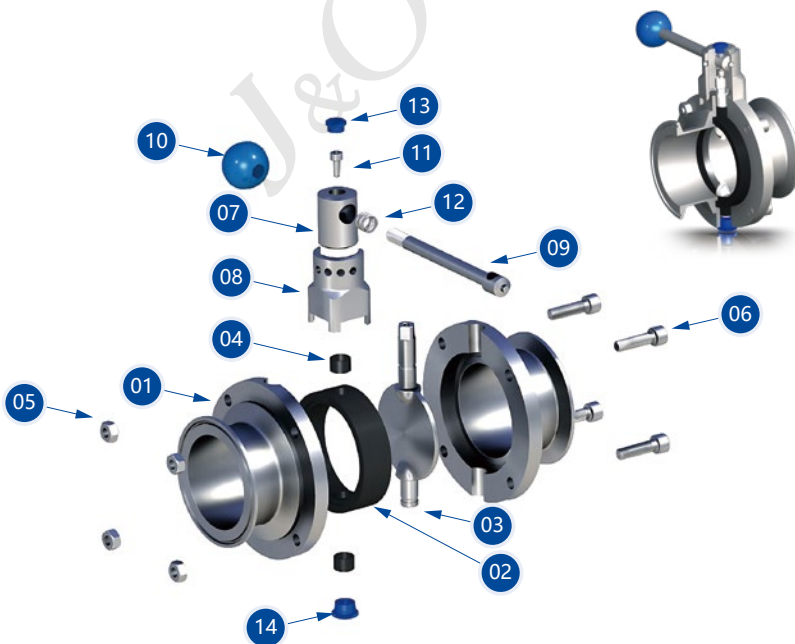
Sanitary Pneumatic Butterfly Valve



Parts List

No	Description
01	Valve Body
02	Dish Plate
03	Seal Ring
04	Bush
05	Direction Pin
06	Connection Sleeve
07	Pneumatic Head
08	Gas-Type Fitting
09	Silencer
10	Dowel
11	Hanger
12	Bolt
13	Bolt
14	Plastic Plug
15	Nut

Sanitary Manual Butterfly Valve

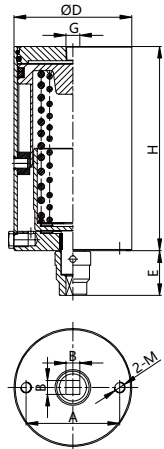


Parts List

No	Description
01	Valve Body
02	Seal Ring
03	Dish Plate
04	Bush
05	Hex Nut
06	Bolt
07	Rotary Head
08	Coat
09	Draw Bar
10	Handle Ball
11	Bolt
12	Spring
13	Plastic Plug
14	Plastic Plug

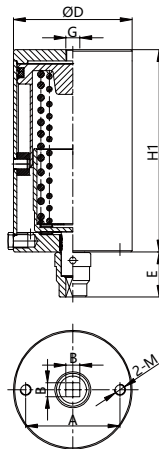
Stainless Steel Pneumatic Actuator

Detachable (single acting)



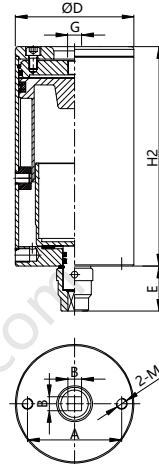
JOA-PS-S

Closed type (single acting)



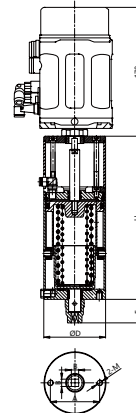
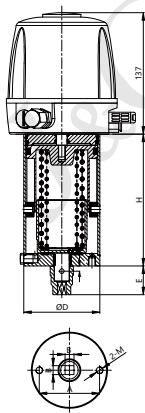
JOA-PS-S

Detachable (double acting)



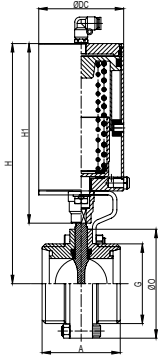
JOA-PS-D

Size	A	B	D	E	G	M	H	H1	H2	Suit for Butterfly Valve	Single-Action	Double-Action
85	68	8×8	85.4	32.5	G1/8"	8	148.5	146	155.5	1"-4"DN25-DN100	35Nm	60Nm
		10×10			R1/8"							
108	68	12×12	108	47	G1/8"	8	178.3	177	185.3	4"-6"DN100-DN150	60Nm	110Nm
		14×14		R1/8"								
133	100	14×14	133	60	G1/8"	10	246.5	245.5	253.5	8"DN200	150Nm	190Nm
		16×16			R1/8"							



Size	A	B	D	E	M	H
85	68	8×8	85.4	32.5	8	148.5
		10×10				
108	68	12×12	108	47	8	178.3
		14×14		42		
133	100	14×14	133	60	10	246.5
		16×16				

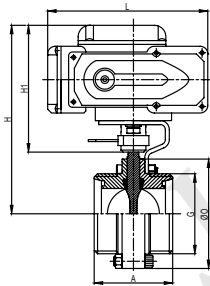
Size	A	B	D	E	M	H
85	68	8×8	85.4	32.5	8	225.5
		10×10				
108	68	12×12	108	47	8	260.3
		14×14		42		
133	100	14×14	133	60	10	352.5
		16×16				



JOV-BFHPS-33-D

Pneumatic Sanitary Butterfly Valve

Size	ØO	G	A	Dc	H	H1
DN15	78.0	Rd34×1/8"	66.0	85.0	222.0	180.5
DN20	78.0	Rd44×1/6"	66.0	85.0	222.0	180.5
DN25	78.0	Rd52×1/6"	68.0	85.0	222.0	180.5
DN32	86.0	Rd58×1/6"	68.0	85.0	226.0	180.5
DN40	90.0	Rd65×1/6"	72.0	85.0	228.0	180.5
DN50	106.0	Rd78×1/6"	76.0	85.0	236.0	180.5
DN65	124.0	Rd95×1/6"	80.0	85.0	245.0	180.5
DN80	139.0	Rd110×1/4"	90.0	85.0	253.0	180.5
DN100	159.0	Rd130×1/4"	100.0	85.0	263.0	180.5
DN125	185.0	Rd160×1/4"	143.0	133.0	415.0	298.0
DN150	215.0	Rd190×1/4"	160.0	133.0	430.0	298.0



JOV-BFHE-33-D

Electric Sanitary Butterfly Valve

Size	ØO	G	A	L	H	H1
DN15	78.0	Rd34×1/8"	66.0	175.5	170.0	131.0
DN20	78.0	Rd44×1/6"	66.0	175.5	170.0	131.0
DN25	78.0	Rd52×1/6"	68.0	175.5	170.0	131.0
DN32	86.0	Rd58×1/6"	68.0	175.5	174.0	131.0
DN40	90.0	Rd65×1/6"	72.0	175.5	176.0	131.0
DN50	106.0	Rd78×1/6"	76.0	175.5	184.0	131.0
DN65	124.0	Rd95×1/6"	80.0	208.0	207.0	145.0
DN80	139.0	Rd110×1/4"	90.0	208.0	214.5	145.0
DN100	159.0	Rd130×1/4"	100.0	208.0	224.5	145.0
DN125	185.0	Rd160×1/4"	143.0	208.0	237.5	145.0
DN150	215.0	Rd190×1/4"	160.0	208.0	252.5	145.0