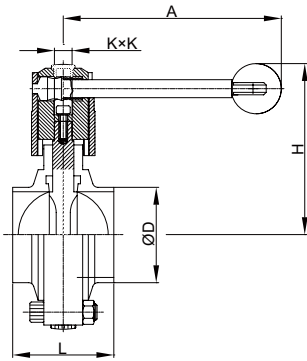




# Sanitary Butterfly Valve

Our Core Values: Team, Details, Altruism, Innovation and Embrace Change.

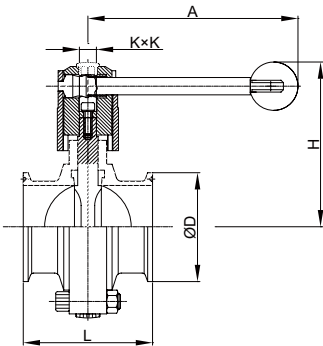
SMS / 3A



JOV-BFHMR4-11

SMS/3A Weld Butterfly Valve with Pull Handle

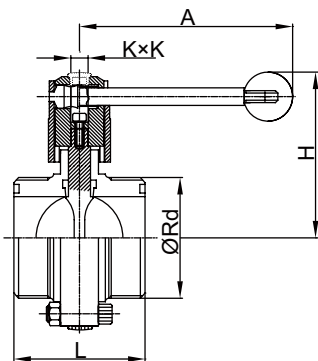
Size	D	A	H	L	k×K
1"	25.4	135	68	50	8×8
1.5"	38.1	135	72	50	8×8
2"	50.8	135	79	52	10×10
2.5"	63.5	135	86	56	10×10
3"	76.2	135	96	58	10×10
4"	101.6	160	110	64	10×10
6"	152.4	210	147	90	14×14
8"	203.2	315	183	92	17×17
10"	254.0	315	210	100	19×19
12"	304.8	500	257	120	19×19



JOV-BFHMR4-22

SMS/3A Clamp Butterfly Valve with Pull Handle

Size	D	A	H	L	k×K
1"	50.5	135	68	66	8×8
1.5"	50.5	135	72	66	8×8
2"	64	135	79	72	10×10
2.5"	77.5	135	86	76	10×10
3"	91	135	96	76	10×10
4"	119	160	110	90	10×10
6"	166.7	210	147	132	14×14
8"	217	315	183	134	17×17
10"	268.5	315	210	142	19×19
12"	319	500	257	162	19×19

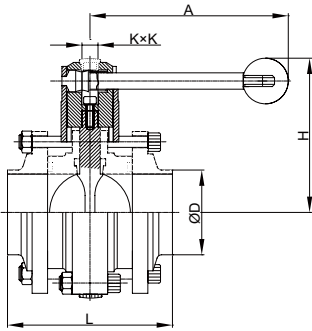


JOV-BFHMR4-33-S

SMS Thread(Male) Butterfly Valve with Pull Handle

Size	Rd	A	H	L	k×K
1"	Rd40×1/6"	135	68	68	8×8
1.25"	Rd48×1/6"	135	69	68	8×8
1.5"	Rd60×1/6"	135	72	70	10×10
2"	Rd70×1/6"	135	79	76	10×10
2.5"	Rd85×1/6"	135	86	76	10×10
3"	Rd98×1/6"	135	96	80	10×10
3.5"	Rd110×1/6"	160	102	84	10×10
4"	Rd125×1/6"	160	110	90	10×10
4.5"	Rd132×1/6"	160	111	90	14×14

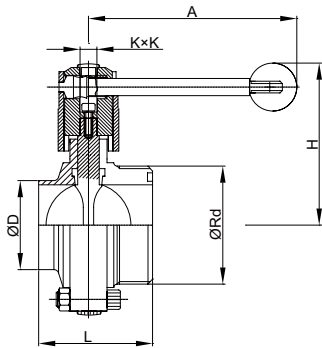
SMS / 3A



JOV-BFH3PMR4-11-S

SMS/3A Three-Piece Flange Butterfly Valve with Pull Handle

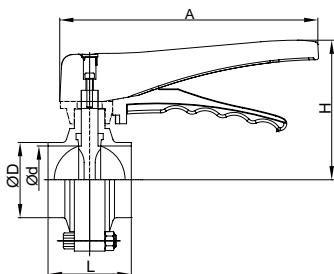
Size	D	L	H	A	k×K
1"	25.4	100	68	135	8×8
1.25"	31.8	100	69	135	8×8
1.5"	38.1	100	72	135	8×8
2"	50.5	104	79	135	10×10
2.5"	63.5	106	86	135	10×10
3"	76.2	108	96	135	10×10
3.5"	88.9	112	102	160	10×10
4"	101.6	116	110	160	10×10
5"	127	138	128	210	14×14
6"	152.4	152	147	210	14×14
8"	203.2	162	183	315	17×17
10"	254	210	210	315	19×19



JOV-BFHMR4-13-S

SMS Weld/Thread Butterfly Valve with Pull Handle

Size	H	D	A	B	L	k×K
1"	68	25.4×1.5	135	Rd 40×1/6"	59	8×8
1.25"	68	31.8×1.5	135	Rd 48×1/6"	59	8×8
1.5"	72	38.1×1.5	135	Rd 60×1/6"	60	8×8
2"	79	50.8×1.5	135	Rd 70×1/6"	64	10×10
2.5"	83	63.5×2	135	Rd 85×1/6"	66	10×10
3"	96	76.1×2	135	Rd 98×1/6"	69	10×10
4"	110	101.6×2	160	Rd 125×1/6"	78	10×10

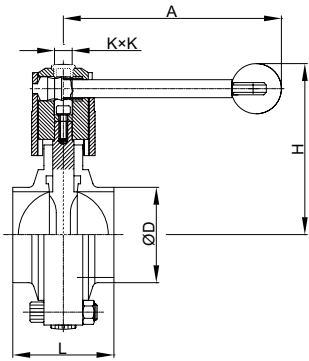


JOV-BFHM12-11-A

3A Weld Butterfly Valve With Gripper Handle

Size	d	D	A	L	H
1"	22.1	25.4	138	50	78
1.25"	28.5	31.8	138	50	81
1.5"	34.8	38.1	138	50	81
2"	47.5	50.8	162	52	103
2.5"	60.2	63.5	162	56	110
3"	72.9	76.2	162	58	118
3.5"	84.9	88.9	162	60	123
4"	97.6	101.6	162	66	130
5"	122	127	210	66	145
6"	146.8	152.4	210	90	160

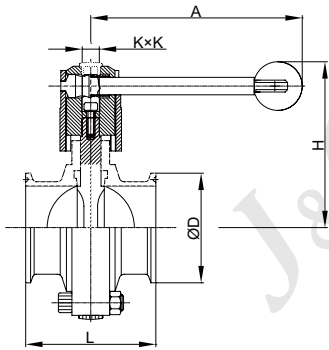
ISO



JOV-BFHMR4-11-IS

ISO Weld Butterfly Valve with Pull Handle

Size	D	A	H	L	K×K
Φ19	19.1	135	68	50	8×8
Φ25.4	25.4	135	68	50	8×8
Φ31.8	31.8	135	68	50	8×8
Φ38	38.1	135	72	50	8×8
Φ45	45	135	74	50	8×8
Φ50.8	50.8	135	79	52	10×10
Φ57	57	135	83	54	10×10
Φ63.5	63.5	135	86	56	10×10
Φ76.2	76.2	135	96	58	10×10
Φ89	89	160	102	60	10×10
Φ101.6	101.6	160	110	6	10×10
Φ133	133	210	128	80	14×14
Φ159	159	210	147	90	14×14
Φ219	219	315	183	92	17×17
Φ273	273	315	210	100	19×19

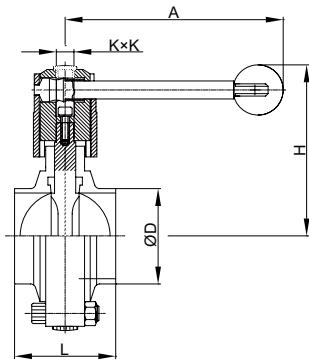


JOV-BFHMR4-22-IS

ISO Tri-Clamp Butterfly Valve with Pull Handle

Size	D	A	H	L	K×K
Φ19	50.5	135	68	66	8×8
Φ25.4	50.5	135	68	66	8×8
Φ31.8	50.5	135	68	66	8×8
Φ38.1	50.5	135	72	66	8×8
Φ45	64	135	74	70	8×8
Φ50.8	64	135	79	72	10×10
Φ57	77	135	83	76	10×10
Φ63.5	77	135	86	76	10×10
Φ76.2	91	135	96	76	10×10
Φ89	106	160	102	84	10×10
Φ101.6	119	160	110	90	10×10
Φ108	119	160	112	90	14×14
Φ114	130	160	112	106	14×14
Φ133	145	210	128	122/108	14×14
Φ159	183	210	147	132/110	14×14
Φ219	233.5	315	183	134	17×17
Φ273	286	315	257	142	19×19

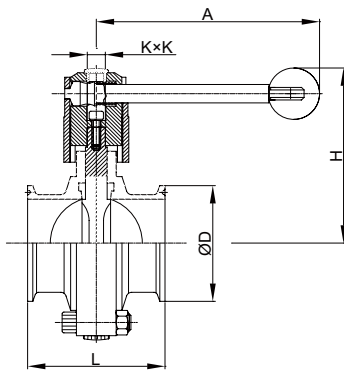
## DIN



**JOV-BFHMR4-11-D**

### DIN Weld Butterfly Valve with Pull Handle

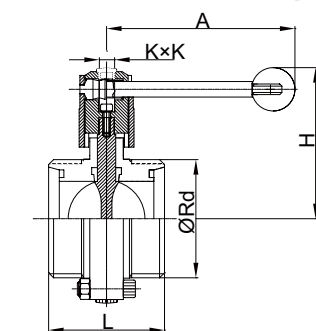
Size	D	A	H	L	K×K
20	22	135	68	50	8×8
25	28	135	68	50	8×8
32	34	135	70	50	8×8
40	40	135	74	50	8×8
50	52	135	82	52	10×10
65	70	135	94	58	10×10
80	85	160	102	62	10×10
100	104	160	112	66	10×10
125	129	210	128	80	14×14
150	154	210	142	90	14×14
200	204	315	183	92	17×17
250	254	315	210	100	19×19
300	304	500	257	120	19×19



**JOV-BFHMR4-22-D**

### DIN Tri-Clamp Butterfly Valve with Pull Handle

Size	D	A	H	L	K×K
25	50.5	135	68	66	8×8
32	50.5	135	70	66	8×8
40	50.5	135	74	66	8×8
50	64	135	82	72	10×10
65	91	135	94	76	10×10
80	106	160	102	80	10×10
100	119	160	112	90	10×10
125	145	210	128	108/122	14×14
150	167	210	142	110/132	14×14
200	217.7	315	183	120/134	17×17
250	268.5	315	210	142	19×19
300	319	500	257	162	19×19

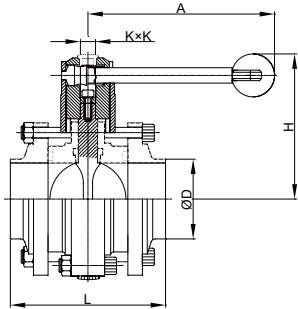


**JOV-BFHMR4-33-D**

### DIN Thread Butterfly Valve with Pull Handle

Size	Rd	A	H	L	K×K
25	Rd52×1/6"	135	68	68	8×8
32	Rd58×1/6"	135	70	68	8×8
40	Rd65×1/6"	135	74	72	8×8
50	Rd78×1/6"	135	82	76	10×10
65	Rd95×1/6"	135	94	80	10×10
80	Rd110×1/4"	160	102	90	10×10
100	Rd130×1/4"	160	112	100	10×10
125	Rd160×1/4"	210	128	143	14×14
150	Rd190×1/4"	210	142	160	14×14

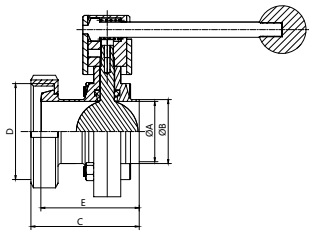
## DIN



**JOV-BFH3PMR4-11-D**

### DIN Three-Piece Weld Butterfly Valve with Pull Handle

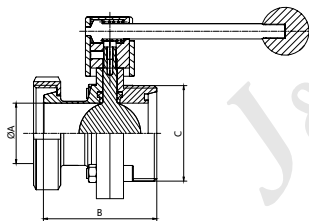
DIN	L	D	H	A	K×K
25	100	28	68	135	8×8
32	100	34	70	135	8×8
40	100	40	74	135	8×8
50	104	52	82	135	10×10
65	108	70	94	135	10×10
80	110	85	102	160	10×10
100	116	104	112	160	10×10
125	138	129	128	210	14×14
150	150	154	142	210	14×14
200	162	204	183	315	17×17
250	210	254	210	315	19×19
300	240	304	257	500	19×19



**JOV-BFHMR4-13N-D**

### DIN Weld/Union Butterfly Valve

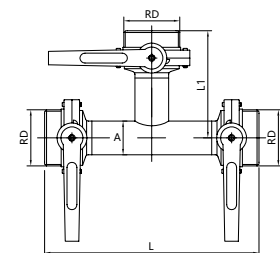
Size	A	B	C	E	D
25	25	28	78	70	RD52×1/6"
32	31	34	83	75	RD58×1/6"
40	37	40	84	76	RD65×1/6"
50	49	52	88	80	RD78×1/6"
65	66	70	97	88	RD95×1/6"
80	81	85	107	95	RD110×1/4"
100	100	104	119	110	RD130×1/4"



**JOV-BFHMR4-33NW-D**

### DIN Thread/Union Butterfly Valve

Size	A	B	C
25	25	79	RD52×1/6"
32	31	85	RD58×1/6"
40	37	88	RD65×1/6"
50	49	92	RD78×1/6"
65	66	100	RD95×1/6"
80	81	110	RD110×1/4"
100	100	130	RD130×1/4"

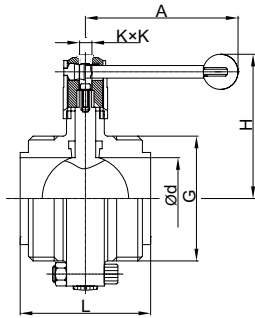


**JOV-3WBFHM-33-D**

### Three-Way Thread Butterfly Valve

Size	A	RD	L	L1
25	28	RD52×1/6"	214	107
32	34	RD58×1/6"	224	112
40	40	RD65×1/6"	238	119
50	52	RD78×1/6"	262	131
65	70	RD95×1/6"	292	146
80	85	RD110×1/4"	352	176
100	104	RD130×1/4"	378	189

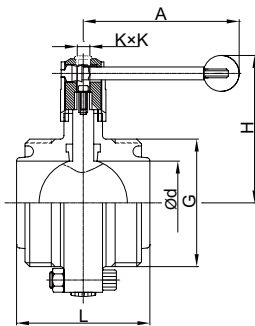
IDF/RJT



JOV-BFHMR4-33-ID

IDF Thread(Male)Butterfly Valve

Size	d	G	L	A	H	K×K
1"	22.4	37.1×1/8TACME	72	135	68	8×8
1 1/2"	35.1	50.6×1/8TACME	76	135	72	8×8
2"	47.8	64.1×1/8TACME	82	135	79	10×10
2 1/2"	59.5	77.6×1/8TACME	86	135	86	10×10
3"	72.2	91.1×1/8TACME	90	135	96	10×10
4"	97.6	118.2×1/8TACME	110	160	110	10×10

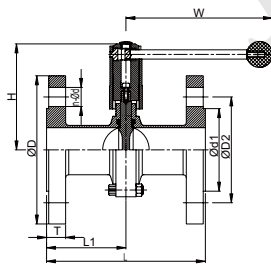


JOV-BFHMR4-33-R

RJT Thread(Male)Butterfly Valve

Size	d	G	L	A	H	K×K
1"	22.2	45.7×1/8TWHIT	80	135	68	8×8
1 1/2"	34.9	58.4×1/8TWHIT	80	135	72	8×8
2"	47.6	72.7×1/6TWHIT	84	135	79	10×10
2 1/2"	60.3	85.4×1/6TWHIT	84	135	86	10×10
3"	73	98.1×1/6TWHIT	84	135	96	10×10
4"	97.5	123.8×1/6TWHIT	104	160	110	10×10

Sanitary Butterfly Valve with Flange End



JOV-BFHMR4-44-D

DN	d1	d2	D	L	T	H	W	n-Ød
15	45	65	90	135	86	117	135	4-14
20	55	75	100	135	86	117	135	4-14
25	65	85	110	135	86	117	135	4-14
32	78	100	130	135	86	119	135	4-18
40	85	110	140	135	86	121	135	4-18
50	100	125	155	150	96	128	135	4-18
65	120	145	175	160	104	140	135	4-18
80	135	160	190	160	108	140	160	8-18
100	155	180	213	160	120	145	160	8-18
125	185	210	240	180	150	164	210	8-18
150	210	240	275	200		178	210	8-22
200	265	295	330	230		214	315	8-22
250	320	350	385	250		241	315	12-22
300	375	400	435	250		268	500	12-22