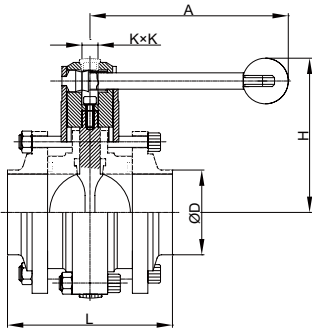




Sanitary Butterfly Valve

Our Core Values: Team, Details, Altruism, Innovation and Embrace Change.

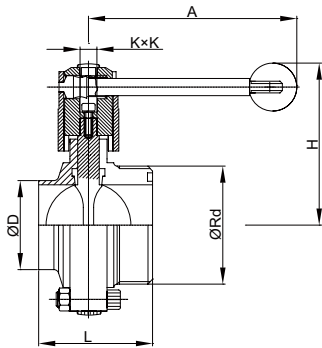
SMS / 3A



JOV-BFH3PMR4-11-S

SMS/3A Three-Piece Flange Butterfly Valve with Pull Handle

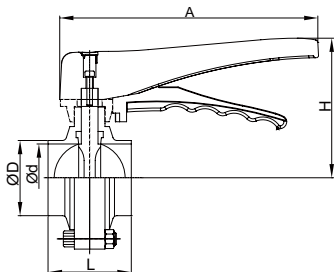
Size	D	L	H	A	k×K
1"	25.4	100	68	135	8×8
1.25"	31.8	100	69	135	8×8
1.5"	38.1	100	72	135	8×8
2"	50.5	104	79	135	10×10
2.5"	63.5	106	86	135	10×10
3"	76.2	108	96	135	10×10
3.5"	88.9	112	102	160	10×10
4"	101.6	116	110	160	10×10
5"	127	138	128	210	14×14
6"	152.4	152	147	210	14×14
8"	203.2	162	183	315	17×17
10"	254	210	210	315	19×19



JOV-BFHMR4-13-S

SMS Weld/Thread Butterfly Valve with Pull Handle

Size	H	D	A	B	L	k×K
1"	68	25.4×1.5	135	Rd 40×1/6"	59	8×8
1.25"	68	31.8×1.5	135	Rd 48×1/6"	59	8×8
1.5"	72	38.1×1.5	135	Rd 60×1/6"	60	8×8
2"	79	50.8×1.5	135	Rd 70×1/6"	64	10×10
2.5"	83	63.5×2	135	Rd 85×1/6"	66	10×10
3"	96	76.1×2	135	Rd 98×1/6"	69	10×10
4"	110	101.6×2	160	Rd 125×1/6"	78	10×10



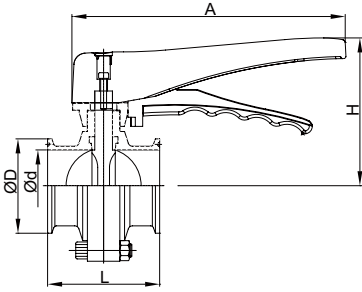
JOV-BFHM12-11-A

3A Weld Butterfly Valve With Gripper Handle

Size	d	D	A	L	H
1"	22.1	25.4	138	50	78
1.25"	28.5	31.8	138	50	81
1.5"	34.8	38.1	138	50	81
2"	47.5	50.8	162	52	103
2.5"	60.2	63.5	162	56	110
3"	72.9	76.2	162	58	118
3.5"	84.9	88.9	162	60	123
4"	97.6	101.6	162	66	130
5"	122	127	210	66	145
6"	146.8	152.4	210	90	160

3A

3A Tri-Clamp Butterfly Valve With Gripper Handle



JOV-BFHM12-22-A

Size	d	D	A	L	H
1"	22.1	50.5	138	66	78
1.25"	28.5	50.5	138	66	81
1.5"	34.8	50.5	138	66	81
2"	47.5	64	162	72	103
2.5"	60.2	77.5	162	76	110
3"	72.9	91	162	76	118
3.5"	84.9	106	162	84	123
4"	97.6	119	162	90	130
5"	122	145	210	108	145
6"	146.8	183	210	110	160