

Rectangular Manhole With Double Lock



Product Introduction

Applications: observation holes, tanks

Category: sanitary square manhole series

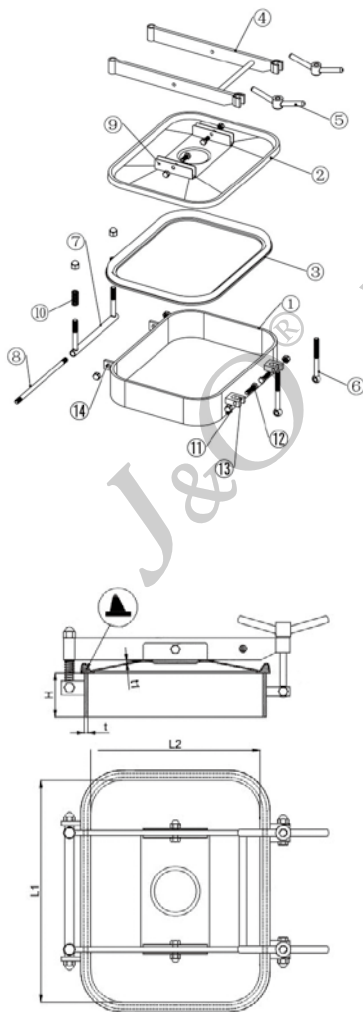
Name: Square Manhole, Rectangular Manhole

Material: 304, 316L, etc. (other materials can be customized)

Features: The manhole adopts a quick opening structure, which is safe, practical and easy to open. This type of manhole is mostly installed on the side of the tank. It is used in conditions where access to large tanks and containers is required to be lockable. Internal and external mirror polish or matt polish.

Parts List

No.	Description	Material	Quality
1	Frame	304 / 316L	1
2	Cover	304 / 316L	1
3	Gasket	Silicone	1
4	Bracket	304	1
5	Top Nut	304	2
6	Swing Bolt	304	2
7	Back Hinge Support	304	1
8	Screw	304	1
9	Cover Support	304	2
10	Spring	304	2
11	Nut	304	6
12	Bolt	304	4
13	Front Fixed Support	304	1
14	Black Fixed Support	304	1



JOF-MHS002

Dimensions

Size	L1	L2	H	t	t1	Pres (Bar)
435×335	419	319	80	8	2.5	1-3
411×535	515	395	80	8	3	1-3
431×535	515	415	80	8	3	1-3
415×535	515	395	80	10	3	1-3
435×535	515	415	80	10	3	1-3

The height (H) and collar (t) can be customized on request