

Square Handhole



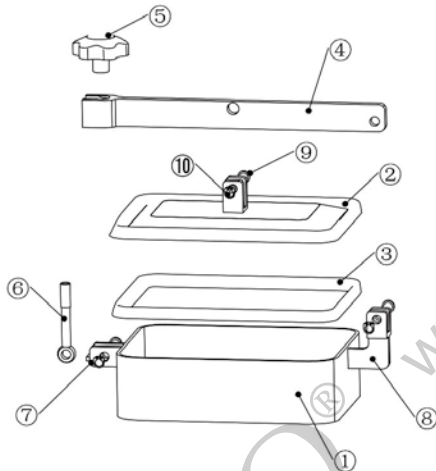
Product Introduction

Category: sanitary square handhole series

Name: Square Handhole, Rectangular Handhole

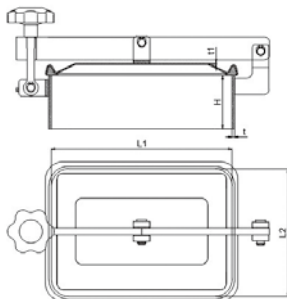
Material: 304, 316L, etc. (other materials can be customized)

Features: The handhole adopts a quick opening structure, which is safe, practical and easy to open, withstand pressure $\leq 0.2\text{MPa}$. It is widely used in movable tanks and fixed tanks. It is mainly installed on the side of stainless steel tanks and containers. Internal and external mirror polish or matt polish.



Parts List

No.	Description	Material	Quality
1	Frame	304 / 316L	1
2	Cover	304 / 316L	1
3	Gasket	Silicone	1
4	Bracket	304	1
5	Handwheel	S304 / ABS / Ring	1
6	Swing Bolt	304	1
7	Back Hinge Support	304	1
8	Lug	304	1
9	Pin	304	1
10	Snap Ring	304	1



JOF-MHS001

Dimensions

Size	L1	L2	H	t	t1
150×250	242	142	80	4	2
185×235	227	177	80	4	2
200×280	270	190	80	5	2
230×330	320	220	80	5	2

The height (H) and collar (t) can be customized on request