

Pressure Manhole With Sight Glass



Product Introduction

With a sight glass, it is convenient to observe the material inside the tank without opening the cover.

It can be used for the control of water, gas, oil, and corrosive media in industries such as chemical, petroleum, plumbing, food, and pharmaceuticals.

Sealing Material: EPDM, NBR, silicone, viton

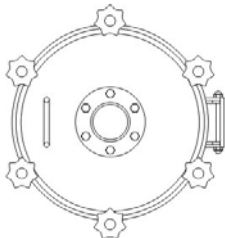
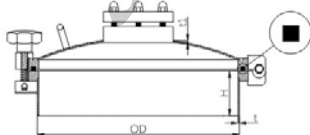
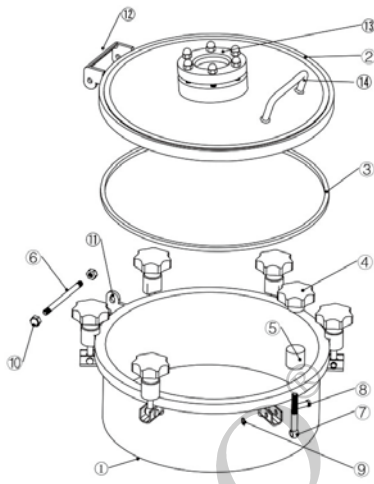
Main Material: SS304, SS316L

Inner Surface Finish: mirror polish, matt polish,

Outer Surface Finish: mirror polish, matt polish, sandblasted

Parts List

No.	Description	Material	Quality
1	Frame	304 / 316L	1
2	Cover	304 / 316L	1
3	Gasket	Silicone	1
4	Handwheel	SS304 / ABS / RING	4-8
5	Hub	304	4-8
6	Hex Screw	304	1
7	Swing Bolt	304	4-8
8	Pin	304	4-8
9	Snap Ring	304	4-8
10	Nut	304	2
11	Lower Hinge	304	1
12	Upper Hinge	304	1
13	Sight Glass	304	1
14	Handle	304	1



Dimensions

Size	OD	H	t	t1	Sight Glass
200	206	100	3	2.5	DN50
300	306	100	3	2.5	DN65
350	356	100	3	2.5	DN80
400	406	100	3	2.5	DN80
430	436	100	3	3	DN80
450	456	100	3	3	DN80
500	506	100	3	3	DN100
600	606	100	3	3	DN100

The height (H) and collar (t) can be customized on request

JOF-MHR006