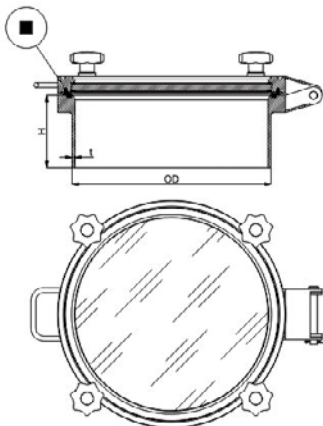
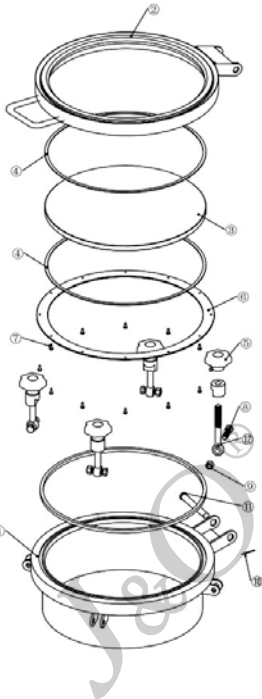


## Manhole With Full View Sight Glass



JOF-MHR005

### Product Introduction

J&O The manhole cover with full view sight glass on the saccharification tank makes it convenient to observe the fermentation process.

Its cover is made of 10-20mm thick tempered glass with stainless steel flange edges, providing a more intuitive observation of the biological fermentation state.

Product name: sight glass manhole, manhole with full view sight glass, saccharification tank manhole

Material: tempered glass, SS304/SS316L

Grade: sanitary

Style: transparent tempered glass

Features: easy to observe the biological dynamics inside the tank, pressure resistant, plum handwheel with quick opening structure

Application fields: biopharmaceutical, beer and beverage, food, electronic cleaning engineering, etc

### Parts List

No.	Description	Material	Quantity
1	Frame	304 / 316L	1
2	Cover	304 / 316L	1
3	Gasket	Tempered Glass	1
4	Bracket	Silicone	2
5	Handwheel	304 / ABS / Ring	4
6	Flange	304	1
7	Screw	304	8
8	Hex Bolt	304	4
9	Hex Nut	304	4
10	Snap Ring	304	4
11	Pin	304	1
12	Swing Bolt	304	4

### Dimensions

Size	OD	t	H
250	256	3	120 / 150 / 200
300	306	3	120
350	356	3	120
400	406	3	120
450	456	3	120
500	506	3	120
600	606	3	120

The height (H) and collar (t) can be customized on request