

Pressure Manhole PN1-PN6



Product Introduction

Material: SS304, SS316L

Pressure Range: 0.1-0.6MPa (higher pressure can be customized on request)

Surface Finish: mirror polish, matt polish

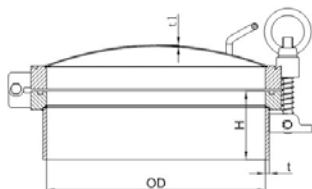
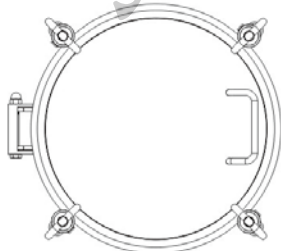
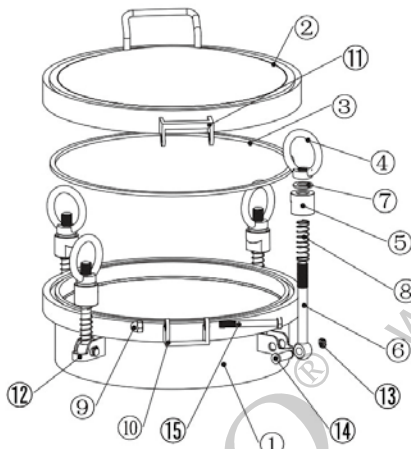
Features: quick opening style, nice and practical design

Applications: food tanks, pharmaceutical tanks, chemical tanks, etc

Size Range: DN300-DN600

Parts List

No.	Description	Material	Quality
1	Frame	304 / 316L	1
2	Cover	304 / 316L	1
3	Gasket	silicone	1
4	Hand Ring	304 / ABS	4
5	Hub	304	4
6	Swing Bolt	304	1
7	Gasket	304	1
8	Spring	304	1
9	Hex Nut	304	1
10	Upper Hinge	304	1
11	Lower Hinge	304	1
12	Lug	304	4
13	Snap Ring	304	4
14	Pin	304	4
15	Hex Bolt	304	1



Dimensions

Size	OD	H	t	t1
300	300	120	6	4
350	350	120	6	4
400	400	120	6	4
450	450	120	6	4
500	500	120	6	5
600	600	120	6	4

The height (H) and collar (t) can be customized on request

JOF-MHR003