

Pressure Handhole



Product Introduction

The pressure handhole can be used for the control of water, gas, oil, and corrosive media in industries such as chemical, petroleum, plumbing, food, and pharmaceuticals.

Sealing Material: EPDM, NBR, silicone, viton

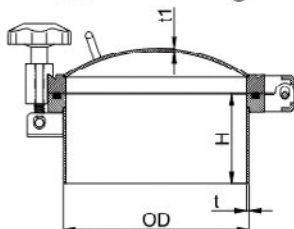
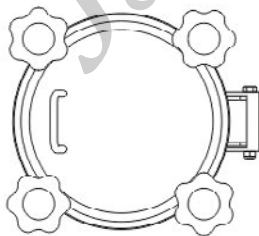
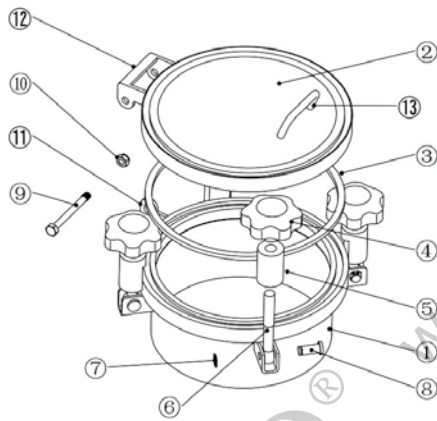
Main Material: SS304, SS316L

Inner Surface Finish: mirror polish, matt polish

Outer Surface Finish: mirror polish, matt polish, matt, sandblasted

Parts List

No.	Description	Material	Quality
1	Frame	304 / 316L	1
2	Cover	304 / 316L	1
3	Gasket	Silicone	1
4	Handwheel	SS304 / ABS / RING	
5	Hub	304	
6	Swing Bolt	304	
7	Snap Ring	304	
8	Pin	304	
9	Hex Bolt	304	1
10	Nut	304	1
11	Lower Hinge	304	1
12	Upper Hinge	304	1
13	Handle	304	1



JOF-MHR003-02S

Dimensions

Size	OD	H	t	t1
80	89	100	3	2.5
100	108	100	3	2.5
125	133	100	3	2.5
150	159	100	3	2.5
200	206	100	3	2.5
219	219	100	3	2.5
250	256	100	3	2.5

The height (H) and collar (t) can be customized on request