

Round Manhole Cover with Sight Glass

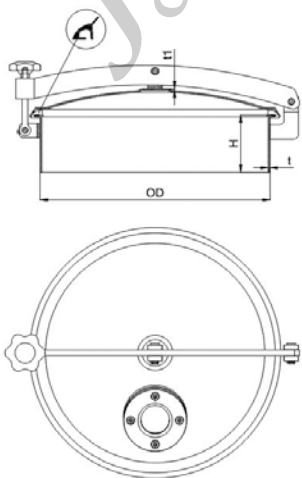
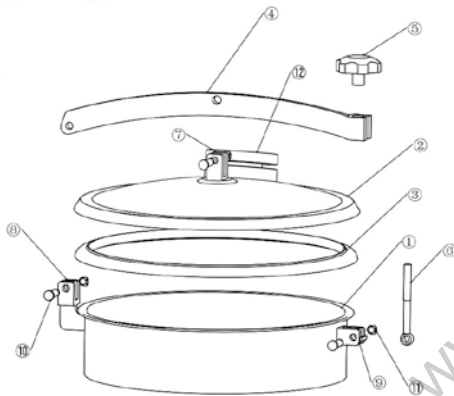


Product Introduction

J&O Round Manhole Cover with Sight Glass is the most common manhole, which fits the non-pressure tanks. It is generally installed on the top of the tank. It is the entrance and exit for production workers and maintenance workers when building, cleaning and pouring tanks. The strength and sealing performance of manholes are key technologies, but only for pressure manholes. The requirements for strength and sealing performance of non-pressure manholes are not so high.

Parts List

No.	Description	Material	Quality
1	Frame	304 / 316L	1
2	Cover	304 / 316L	1
3	Gasket	Silicone	1
4	Bracket	304 / 316L	1
5	Handwheel	304 / ABS	1
6	Swing Bolt	304	1
7	Up Hinge Support	304	1
8	Back Hinge Support	304	1
9	Front Hinge Support	304	1
10	Pin	304	1
11	Lock Ring	304	1
12	Sight Glass	304	1



Dimensions

Size	OD	H	t	t1	Sight Glass
350	350	100	3	2.5	DN50
400	400	100	3	2.5	DN80
430	430	100	3	2.5	DN80
450	450	100	3	2.5	DN80
500	500	100	3	2.5	DN100
600	600	100	3	2.5	DN100

The height (H) and collar (t) can be customized on request

JOF-MHR001-SG