

Oval Manhole With Sight Glass



Product Introduction

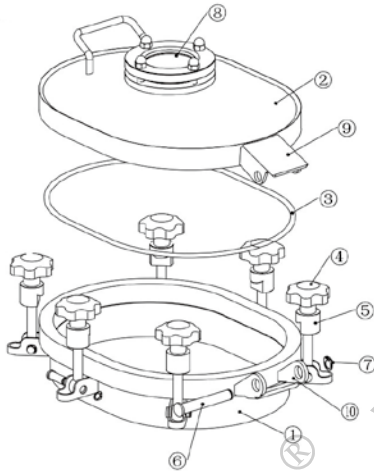
Material: SS304, SS316L

Pressure Range: 0.1-0.3MPa

Surface Finish: mirror polish, matt polish

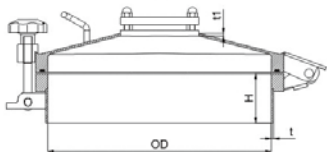
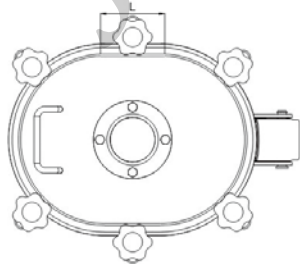
Features: quick opening style, nice and practical design, can be welded on the side, top and bottom of the tank body

Applications: food tanks, pharmaceutical tanks, chemical tanks, etc



Parts List

No.	Description	Material	Quality
1	Frame	304 / 316L	1
2	Cover	304 / 316L	1
3	Gasket	silicone	1
4	Handwheel	304 / ABS / Ring	1
5	Hub	304	1
6	Pin	304	1
7	Snap Ring	304	1
8	Sight Glass	304	1
9	Upper Hinge	304	1
10	Lower Hinge	304	1



Dimensions

Size	OD	H	L	t	t1
250×400	250×400	90	150	4	4
300×400	300×400	90	100	4	4

The height (H) and collar (t) can be customized on request

JOF-MHOP204