

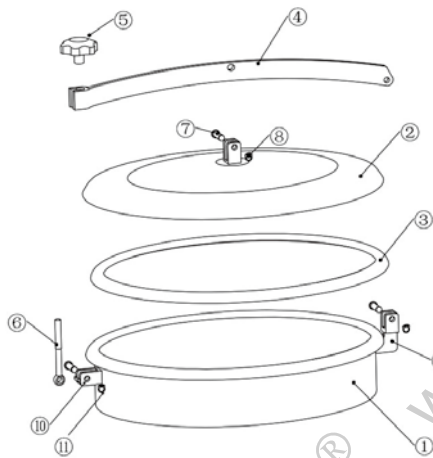
Oval Manhole Cover without Pressure



Product Introduction

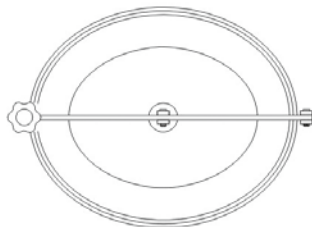
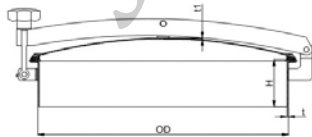
J&O Oval Manhole Cover without Pressure is the most common manhole, which fits the non-pressure tanks. It is generally installed on the top of the tank. It is the entrance and exit for production workers and maintenance workers when building, cleaning and pouring tanks.

The strength and sealing performance of manholes are key technologies, but only for pressure manholes. The requirements for strength and sealing performance of non-pressure manholes are not so high.



Parts List

No.	Description	Material	Quality
1	Frame	304 / 316L	1
2	Cover	304 / 316L	1
3	Gasket	Silicone	1
4	Bracket	304 / 316L	1
5	Handwheel	304	1
6	Swing Bolt	304	1
7	Pin	304	2
8	Snap Ring	304	2
9	Back Hinge Support	304	1
10	Pin	304	1
11	Snap Ring	304	1



Dimensions

Size	OD	H	t	t1
250×350	250×350	100	2.5	2
300×420	300×420	100	3	2
330×430	330×430	100	3	2
350×450	350×450	100	3	2.5
430×530	430×530	100	3	2.5

The height (H) and collar (t) can be customized on request

JOF-MHO203