

## Oval Inward Manhole



### Product Introduction

This type of manhole is mainly used on the side of the tank body.

Stainless steel handwheel (or according to customer requirements).

Internal Surface Finish: mirror polish Ra 0.4um-0.6um

External Surface Finish: mirror or matt polish, sandblasting

Pressure Range: 0.1-0.3MPa

Sealing Material: EPDM, NBR, silicone, viton

Frame Thickness: 8mm/10mm

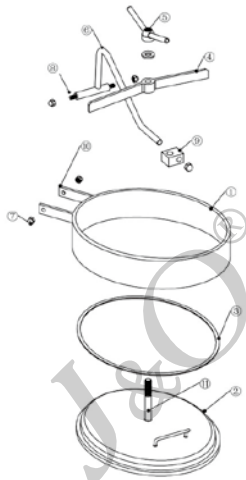
Cover Thickness: 2.5mm/3mm

Height: 80mm

Applications: food, beer, beverage tanks, etc

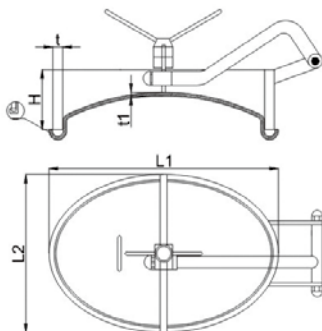
Operation: Release the handwheel and push inward

Handle: Spanner type / handwheel type



### Parts List

No.	Description	Material	Quality
1	Frame	304 / 316L	1
2	Cover	304 / 316L	1
3	Gasket	Silica Gel	1
4	Bracket	304	1
5	Spanner Handle	Silicone	1
6	Suspension Arm	304	1
7	Hex Nut	304	2
8	Bolt	304	1
9	Hub	304 / ABS	1
10	Support Lug	304	2
11	Screw	304	1



### Dimensions

Size	L	L2	H	t	t1
430×330	430	330	80	8	2.5
450×350	450	350	80	8	2.5
530×430	530	430	80	8	3
530×430	530	430	80	10	3
635×525	635	525	80	10	3

The height (H) and collar (t) can be customized on request

JOF-MHO202