

J&O[®]

J&O FLUID CONTROL CO., LIMITED

Manhole Cover

www.sanitary-valves.com

J&O[®]

J&O BRAND, RELIABLE QUALITY FOR YOU
CE&ISO 9001:2015 CERTIFIED ACQUIRED
15 YEARS FLUID SOLUTION EXPERIENCES
EXPORTING TO OVER 40 COUNTRIES
EXCELLENT VALUE-ADDED SERVICE.



We focus on Details
We Make Different
J&O Brand,that can be trust.

J&O[®]

www.sanitary-valves.com

J&O PROFILE

J&O Fluid Control Co., Limited established in 2008, a leading Manufacturer and Supplier of high quality hygienic stainless steel flow control equipments.

J&O services the Food, Dairy, Beverage, Cosmetic, Pharmaceutical, Biological engineering, Lithium battery, Semiconductor, Water treatment, Petroleum and Chemical industries.

J&O product series consists of sanitary stainless steel Valves & Fittings:

>>Sanitary Stainless Steel Pumps

>>Sanitary Stainless Steel Valves

>>Stainless Steel Tank Accessories

>>Stainless Steel Pipe Fittings

>>Stainless Steel Flanges

>>Stainless Steel Double Ferrule Tube Fittings

>>Hydraulic Pneumatic Quick Coupling

>>Carbon Steel Pipe Fittings

>>Customized Valve and Fittings

Through the years, "Perfection" has been the only goal we pursue. In order to satisfy customers, with continuous efforts, we are working towards perfection through a Quality Assurance System. With persistence and effort, we have become one of the leading enterprises of sanitary valves and pipe fittings in China.

Our organization is dedicated to provide our customers with best service of every aspect. We strongly believe, that the friendship and trust given by our customers, is the great treasure we have.

The logo for J&O Fluid Control Co., Limited, featuring the letters 'J&O' in a large, bold, blue serif font. A registered trademark symbol (®) is positioned to the upper right of the letter 'O'. A faint watermark of the logo and the website address 'www.sanitary-valves.com' is visible in the background of the page.

J&O FLUID CONTROL CO., LIMITED

Certificate

ISO9001



**QUALITY MANAGEMENT SYSTEM
CERTIFICATE**

Certificate No. : 20221Q21325R0S

We hereby certify that the organization:
WENZHOU J&O FLUID CONTROL CO., LTD
Unified social credit code: 91330303307697906R

is in conformity with Quality Management System Standard:
GB/T19001-2016 idt ISO9001:2015

The certificate is valid to the following products/service:
**Export of centrifugal pumps,
stainless steel valves and pipe fittings**

Registration Address: ROOM 901-1, 4TH BUILDING, CAIZHI MANSION,
YONGZHONG STREET, LONGWAN, WENZHOU, PROVINCE CHINA
Audit Address: Room 602, Metal Building, Yongzhong Street, Longwan District,
Wenzhou city, Zhejiang Province, China.






Date of Issue: 30-11-2021
Date of Expiry: 29-11-2024
Date of Initial: 30-11-2021

Issued By: 

The audit of validity of the certificate, the certificate shall be at least once a year.
The effectiveness of the Certificate is subject to QR Code in the lower left corner.
Meanwhile, you can search the website of certification body: www.cqcc.gov.cn
or search the CNCA website: www.cnca.gov.cn

ZHEJIANG QUANJIN CERTIFICATION CO.,LTD.
Room 602, Metal Building 1, No. 74, Puyao Road, Puyao Street, Dinghai Street, Hangzhou City,
Zhejiang Province, China 310053 9133. <http://www.cqcc.gov.cn>

ICR

VERIFICATION OF CONFORMITY

No.: ICR Polska/VC/HA221005

Name and address of Applicant: Wenzhou J&O Fluid Control Co., Ltd
Room 901-1, 4TH Building, Caizhi Mansion, Yongzhong Street, Longwan, Wenzhou,
China

Name and address of manufacturer: Wenzhou J&O Fluid Control Co., Ltd
Room 901-1, 4TH Building, Caizhi Mansion, Yongzhong Street, Longwan, Wenzhou,
China

Product name: Butterfly Valve, Ball Valve, Globe Valve, Check Valve, Gate Valve,
Control Valve, Diaphragm Valve, Angle Seat Valve, Tank Bottom Valve,
Safety Valve, Pressure Relief Valve, Sampling Valve, Reversing Valve,
Discharge Valve, Plug Valve, PTFE Lined Valve, PFA Lined Valve,
FEP Lined Valve

Product types: n/a
Product trademark: n/a

This document confirms that the product sample meets the requirements of the following standards:

- Related with Directive 2014/68/EU:

| | | |
|-----------------|-------------|-----------------|
| EN 12266-1:2003 | as well as: | DIN 3257-1:1989 |
| EN 1964:2010 | | DIN EN 593:2018 |
| EN 13709:2010 | | BS 1873:1975 |

The assessment process has been carried out in accordance with individual rules and conditions agreed with the applicant. Evaluation has been carried out in accordance with:

Test reports: TCT221021220-PED
Tests conducted by: Guojiangdong TCT Testing Laboratory Ltd.

Issue date: 26.10.2022
Expiration date: 25.10.2027

Remarks:
This verification of conformity refers to the above mentioned product and its conformity in regards of above mentioned standard(EU) was proven on test sample.
This verification of conformity was issued on voluntary basis and does not imply identity of essential requirements, assessment of the series-production or any other restricted/limited bodies conformity assessment procedure appropriate for the product.

CE marking remarks:
mark is not sanctioned by the following emblem of conformity mark given here as reference, can be obtained by the manufacturer after applying all essential requirements from relevant directives

document status can be checked <https://icr.pl/portal/verification>



ICR Polska Co. Ltd
www.icrpolska.com
icrp@icrp.pl



Director: Rafal Kalinowski
Warsaw, 26.10.2022



Testing Machine



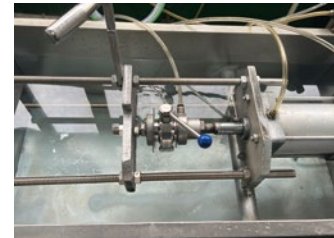
Actuator Testing



Helium Leak Detector



Pressure Test for Large Valve



Pressure Test for Small Valve

Plant & Prducing



Manhole Cover

Our Core Values: Team, Details, Altruism, Innovation and Embrace Change.

J&O[®]

www.sanitary-valves.com

Pressure Manhole Cover



Design Standards

J&O provides oval and round manhole products, without sight glass, union sight glass or all-glass pressure manhole. The pressure manhole can be equipped with more than 4 hand-wheels fixing devices. The number of hand-wheels depends on the size of the hole, pressure, temperature, etc. , or customized according to special needs.

Application

The pressure manhole cover is mainly used in pressure vessels in industrial fields such as food, brewing, beverages and pharmaceuticals.

Working Principle

When it is necessary to repair the storage tank, first unscrew the hand wheel, and then use the handle fixed on the manhole cover to open the manhole, so that the maintenance man can inspect the storage tank. When the manhole is closed and in place, the manhole cover ensures complete sealing between the seal and the tank body, thereby avoiding leakage of the medium in the tank.

Material

- Material: SS304, SS316L
- Seal: Silicone, EPDM

Technical Parameters

- Working Pressure: Max. 5.0Bar
- Negative Pressure: -1Bar
- Temperature: -10°C to 250°C

Manhole Cover without Pressure



Application

The manhole cover without pressure is mainly used in pressure vessels in industrial fields such as food, brewing, beverages and pharmaceuticals.

Material

- Material: SS304, SS316L
- Seal: Silicone, EPDM

Working Principle

The non-pressure manhole connects the manhole cover to the manhole through a hinge. The manhole cover can be opened and closed freely within 120 ° with the handle, it convenient for maintenance personnel to inspect the tank.

Design Standards

J&O Non-pressure manholes are different from pressure manholes. Non-pressure manholes are only suitable for use under normal pressure, so they are generally equipped with only one hand-wheel, but their sealing is equally excellent.

Round Manhole Cover without Pressure

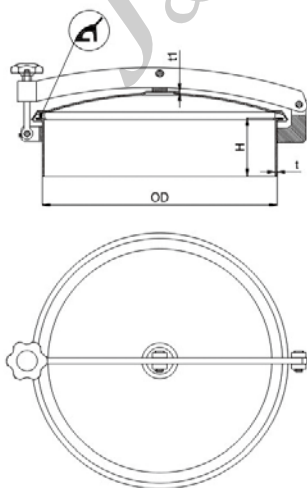
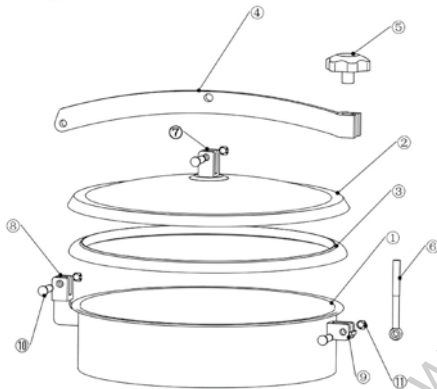


Product Introduction

J&O round manhole cover without pressure is the most common manhole, which fits the nonpressure tanks. It is generally installed on the top of the tank. It is the entrance and exit for production workers and maintenance workers when building, cleaning and pouring tanks. The strength and sealing performance of manholes are key technologies, but only for pressure manholes. The requirements for strength and sealing performance of non-pressure manholes are secondary.

Parts List

| No. | Description | Material | Quality |
|-----|---------------------|------------|---------|
| 1 | Frame | 304 / 316L | 1 |
| 2 | Cover | 304 / 316L | 1 |
| 3 | Gasket | Silicone | 1 |
| 4 | Bracket | 304 / 316L | 1 |
| 5 | Handwheel | 304 / ABS | 1 |
| 6 | Swing Bolt | 304 | 1 |
| 7 | Up Hinge Support | 304 | 1 |
| 8 | Back Hinge Support | 304 | 1 |
| 9 | Front Hinge Support | 304 | 1 |
| 10 | Pin | 304 | 1 |
| 11 | Lock Ring | 304 | 1 |



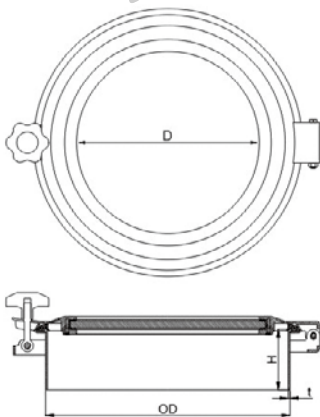
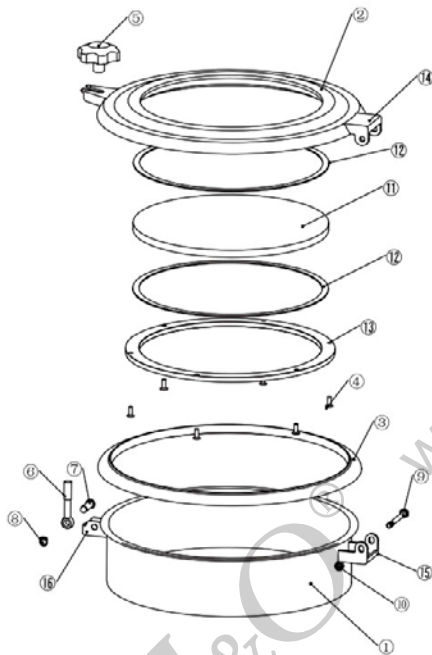
Dimensions

| Size | OD | H | t | t1 | Pres (Bar) |
|------|-----|-----|-----|-----|------------|
| 200 | 200 | 100 | 2.5 | 2 | 0-0.1 |
| 219 | 219 | 100 | 2.5 | 2 | 0-0.1 |
| 250 | 250 | 100 | 2.5 | 2 | 0-0.1 |
| 300 | 300 | 100 | 2.5 | 2 | 0-0.1 |
| 350 | 350 | 100 | 3 | 2 | 0-0.1 |
| 400 | 400 | 100 | 3 | 2.5 | 0-0.1 |
| 430 | 430 | 100 | 3 | 2.5 | 0-0.1 |
| 450 | 450 | 100 | 3 | 2.5 | 0-0.1 |
| 500 | 500 | 100 | 3 | 2.5 | 0-0.1 |
| 600 | 600 | 100 | 3 | 2.5 | 0-0.1 |

The height (H) and collar (t) can be customized on request

JOF-MHR001

Round Manhole Cover with Sight Glass



JOF-MHRWSG

Product Introduction

J&O Round Manhole Cover with Sight Glass Non-pressure manhole is the most common manhole, which fits the non-pressure tanks. It is generally installed on the top of the tank. It is the entrance and exit for production workers and maintenance workers when building, cleaning and pouring tanks. The strength and sealing performance of manholes are key technologies, but only for pressure manholes. The requirements for strength and sealing performance of non-pressure manholes are secondary.

Parts List

| No. | Description | Material | Quality |
|-----|----------------------|------------------|---------|
| 1 | Frame | 304 / 316L | 1 |
| 2 | Cover | 304 / 316L | 1 |
| 3 | Gasket | silicone | 1 |
| 4 | Countersunk Screws | 304 | |
| 5 | Handwheel | 304 / ABS / Ring | 1 |
| 6 | Swing Bolt | 304 | 1 |
| 7 | Pin | 304 | 1 |
| 8 | Snap Ring | 304 | 1 |
| 9 | Hex Screw | 304 | 1 |
| 10 | Hex Nut | 304 | 1 |
| 11 | Glass | Tempered Glass | 1 |
| 12 | Gasket | Silicone | 2 |
| 13 | Flange | 304 | 1 |
| 14 | Upper Hinge | 304 | 1 |
| 15 | Lower Hinge | 304 | 1 |
| 16 | Front Fixing Bracket | 304 | 1 |

Dimensions

| Size | OD | H | t | t1 | D |
|------|-----|-----|---|-----|-----|
| 300 | 300 | 100 | 3 | 2 | 200 |
| 350 | 350 | 100 | 3 | 2 | 250 |
| 400 | 400 | 100 | 3 | 2.5 | 300 |
| 450 | 450 | 100 | 3 | 2.5 | 250 |
| 500 | 500 | 100 | 3 | 2.5 | 400 |
| 600 | 600 | 100 | 3 | 2.5 | 500 |

The height (H) and collar (t) can be customized on request

Round Manhole Cover with Sight Glass

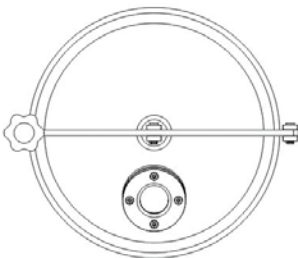
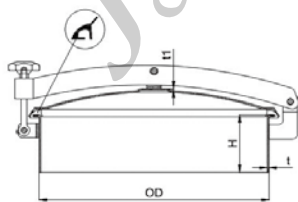
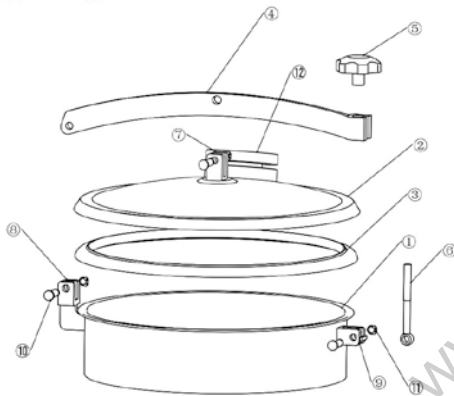


Product Introduction

J&O Round Manhole Cover with Sight Glass is the most common manhole, which fits the non-pressure tanks. It is generally installed on the top of the tank. It is the entrance and exit for production workers and maintenance workers when building, cleaning and pouring tanks. The strength and sealing performance of manholes are key technologies, but only for pressure manholes. The requirements for strength and sealing performance of non-pressure manholes are not so high.

Parts List

| No. | Description | Material | Quality |
|-----|---------------------|------------|---------|
| 1 | Frame | 304 / 316L | 1 |
| 2 | Cover | 304 / 316L | 1 |
| 3 | Gasket | Silicone | 1 |
| 4 | Bracket | 304 / 316L | 1 |
| 5 | Handwheel | 304 / ABS | 1 |
| 6 | Swing Bolt | 304 | 1 |
| 7 | Up Hinge Support | 304 | 1 |
| 8 | Back Hinge Support | 304 | 1 |
| 9 | Front Hinge Support | 304 | 1 |
| 10 | Pin | 304 | 1 |
| 11 | Lock Ring | 304 | 1 |
| 12 | Sight Glass | 304 | 1 |



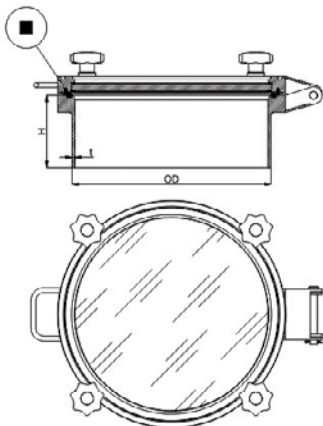
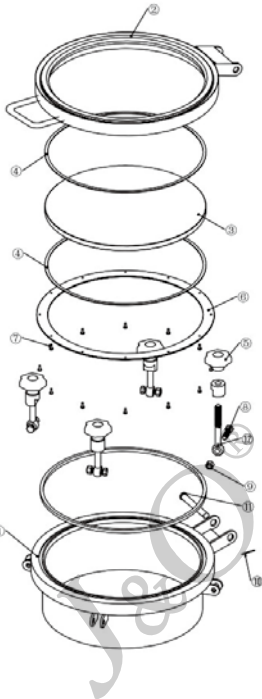
Dimensions

| Size | OD | H | t | t1 | Sight Glass |
|------|-----|-----|---|-----|-------------|
| 350 | 350 | 100 | 3 | 2.5 | DN50 |
| 400 | 400 | 100 | 3 | 2.5 | DN80 |
| 430 | 430 | 100 | 3 | 2.5 | DN80 |
| 450 | 450 | 100 | 3 | 2.5 | DN80 |
| 500 | 500 | 100 | 3 | 2.5 | DN100 |
| 600 | 600 | 100 | 3 | 2.5 | DN100 |

The height (H) and collar (t) can be customized on request

JOF-MHR001-SG

Manhole With Full View Sight Glass



JOF-MHR005

Product Introduction

J&O The manhole cover with full view sight glass on the saccharification tank makes it convenient to observe the fermentation process.

Its cover is made of 10-20mm thick tempered glass with stainless steel flange edges, providing a more intuitive observation of the biological fermentation state.

Product name: sight glass manhole, manhole with full view sight glass, saccharification tank manhole

Material: tempered glass, SS304/SS316L

Grade: sanitary

Style: transparent tempered glass

Features: easy to observe the biological dynamics inside the tank, pressure resistant, plum handwheel with quick opening structure

Application fields: biopharmaceutical, beer and beverage, food, electronic cleaning engineering, etc

Parts List

| No. | Description | Material | Quantity |
|-----|-------------|------------------|----------|
| 1 | Frame | 304 / 316L | 1 |
| 2 | Cover | 304 / 316L | 1 |
| 3 | Gasket | Tempered Glass | 1 |
| 4 | Bracket | Silicone | 2 |
| 5 | Handwheel | 304 / ABS / Ring | 4 |
| 6 | Flange | 304 | 1 |
| 7 | Screw | 304 | 8 |
| 8 | Hex Bolt | 304 | 4 |
| 9 | Hex Nut | 304 | 4 |
| 10 | Snap Ring | 304 | 4 |
| 11 | Pin | 304 | 1 |
| 12 | Swing Bolt | 304 | 4 |

Dimensions

| Size | OD | t | H |
|------|-----|---|-----------------|
| 250 | 256 | 3 | 120 / 150 / 200 |
| 300 | 306 | 3 | 120 |
| 350 | 356 | 3 | 120 |
| 400 | 406 | 3 | 120 |
| 450 | 456 | 3 | 120 |
| 500 | 506 | 3 | 120 |
| 600 | 606 | 3 | 120 |

The height (H) and collar (t) can be customized on request

Pressure Manhole PN1-PN3



Product Introduction

Material: SS304, SS316L

Pressure Range: 0.1-0.3MPa (higher pressure can be customized on request)

Surface Finish: mirror polish, matt polish

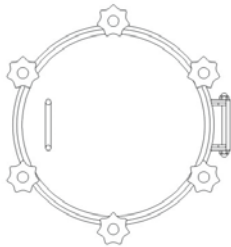
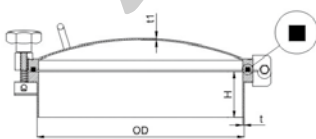
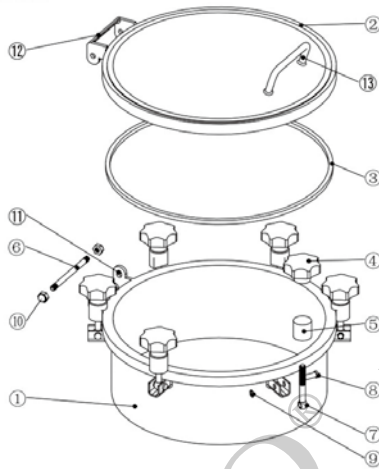
Features: quick opening style, nice and practical design

Applications: food tanks, pharmaceutical tanks, chemical tanks, etc

Size Range: DN150-DN600

Parts List

| No. | Description | Material | Quality |
|-----|-------------|--------------------|---------|
| 1 | Frame | 304 / 316L | 1 |
| 2 | Cover | 304 / 316L | 1 |
| 3 | Gasket | Silicone | 1 |
| 4 | Handwheel | SS304 / ABS / Ring | 4-8 |
| 5 | Hub | 304 | 1 |
| 6 | Screw | 304 | 1 |
| 7 | Swing Bolt | 304 | 4-8 |
| 8 | Pin | 304 | 4-8 |
| 9 | Lock Ring | 304 | 4-8 |
| 10 | Nut | 304 | 1 |
| 11 | Upper Hinge | 304 | 1 |
| 12 | Lower Hinge | 304 | 1 |
| 13 | Handle | 304 | 1 |



JOF-MHR003-02

Dimensions

| Size | OD | H | t | t1 | Handwheel Qty | Pres(Bar) |
|------|-----|-----|---|-----|---------------|-----------|
| 150 | 156 | 100 | 3 | 2.5 | 4 | 1-3 |
| 200 | 206 | 100 | 3 | 2.5 | 4 | 1-3 |
| 250 | 256 | 100 | 3 | 2.5 | 4 | 1-3 |
| 300 | 306 | 100 | 3 | 2.5 | 5 | 1-3 |
| 350 | 356 | 100 | 3 | 2.5 | 6 | 1-3 |
| 400 | 406 | 100 | 3 | 2.5 | 6 | 1-3 |
| 430 | 436 | 100 | 3 | 3 | 6 | 1-3 |
| 450 | 456 | 100 | 3 | 3 | 6 | 1-3 |
| 500 | 506 | 100 | 3 | 3 | 6 | 1-3 |
| 600 | 606 | 100 | 3 | 3 | 8 | 1-3 |

The height (H) and collar (t) can be customized on request

Pressure Manhole PN1-PN6



Product Introduction

Material: SS304, SS316L

Pressure Range: 0.1-0.6MPa (higher pressure can be customized on request)

Surface Finish: mirror polish, matt polish

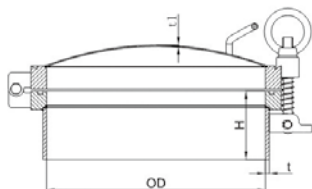
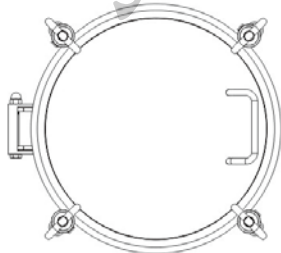
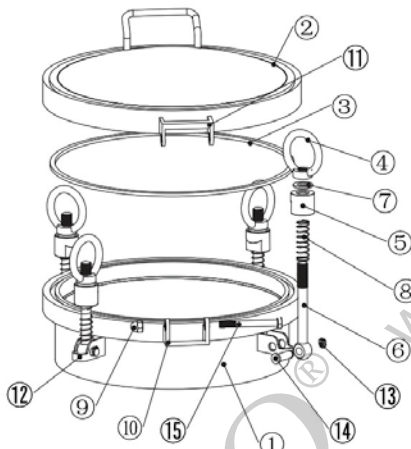
Features: quick opening style, nice and practical design

Applications: food tanks, pharmaceutical tanks, chemical tanks, etc

Size Range: DN300-DN600

Parts List

| No. | Description | Material | Quality |
|-----|-------------|------------|---------|
| 1 | Frame | 304 / 316L | 1 |
| 2 | Cover | 304 / 316L | 1 |
| 3 | Gasket | silicone | 1 |
| 4 | Hand Ring | 304 / ABS | 4 |
| 5 | Hub | 304 | 4 |
| 6 | Swing Bolt | 304 | 1 |
| 7 | Gasket | 304 | 1 |
| 8 | Spring | 304 | 1 |
| 9 | Hex Nut | 304 | 1 |
| 10 | Upper Hinge | 304 | 1 |
| 11 | Lower Hinge | 304 | 1 |
| 12 | Lug | 304 | 4 |
| 13 | Snap Ring | 304 | 4 |
| 14 | Pin | 304 | 4 |
| 15 | Hex Bolt | 304 | 1 |



Dimensions

| Size | OD | H | t | t1 |
|------|-----|-----|---|----|
| 300 | 300 | 120 | 6 | 4 |
| 350 | 350 | 120 | 6 | 4 |
| 400 | 400 | 120 | 6 | 4 |
| 450 | 450 | 120 | 6 | 4 |
| 500 | 500 | 120 | 6 | 5 |
| 600 | 600 | 120 | 6 | 4 |

The height (H) and collar (t) can be customized on request

JOF-MHR003

Pressure Manhole With Sight Glass



Product Introduction

With a sight glass, it is convenient to observe the material inside the tank without opening the cover.

It can be used for the control of water, gas, oil, and corrosive media in industries such as chemical, petroleum, plumbing, food, and pharmaceuticals.

Sealing Material: EPDM, NBR, silicone, viton

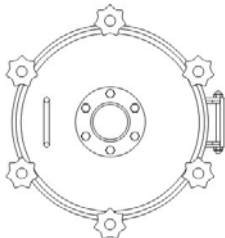
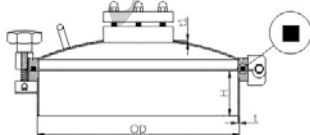
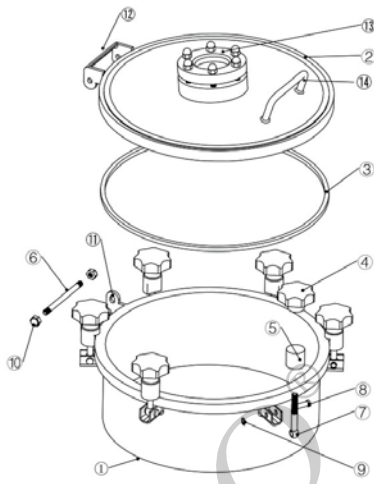
Main Material: SS304, SS316L

Inner Surface Finish: mirror polish, matt polish,

Outer Surface Finish: mirror polish, matt polish, sandblasted

Parts List

| No. | Description | Material | Quality |
|-----|-------------|--------------------|---------|
| 1 | Frame | 304 / 316L | 1 |
| 2 | Cover | 304 / 316L | 1 |
| 3 | Gasket | Silicone | 1 |
| 4 | Handwheel | SS304 / ABS / RING | 4-8 |
| 5 | Hub | 304 | 4-8 |
| 6 | Hex Screw | 304 | 1 |
| 7 | Swing Bolt | 304 | 4-8 |
| 8 | Pin | 304 | 4-8 |
| 9 | Snap Ring | 304 | 4-8 |
| 10 | Nut | 304 | 2 |
| 11 | Lower Hinge | 304 | 1 |
| 12 | Upper Hinge | 304 | 1 |
| 13 | Sight Glass | 304 | 1 |
| 14 | Handle | 304 | 1 |



Dimensions

| Size | OD | H | t | t1 | Sight Glass |
|------|-----|-----|---|-----|-------------|
| 200 | 206 | 100 | 3 | 2.5 | DN50 |
| 300 | 306 | 100 | 3 | 2.5 | DN65 |
| 350 | 356 | 100 | 3 | 2.5 | DN80 |
| 400 | 406 | 100 | 3 | 2.5 | DN80 |
| 430 | 436 | 100 | 3 | 3 | DN80 |
| 450 | 456 | 100 | 3 | 3 | DN80 |
| 500 | 506 | 100 | 3 | 3 | DN100 |
| 600 | 606 | 100 | 3 | 3 | DN100 |

The height (H) and collar (t) can be customized on request

JOF-MHR006

Pressure Handhole



Product Introduction

The pressure handhole can be used for the control of water, gas, oil, and corrosive media in industries such as chemical, petroleum, plumbing, food, and pharmaceuticals.

Sealing Material: EPDM, NBR, silicone, viton

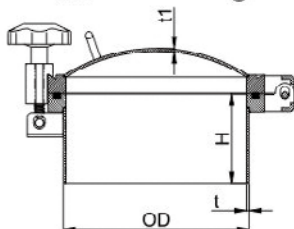
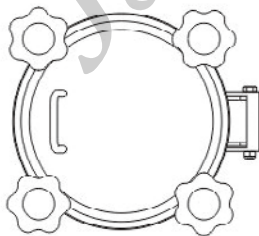
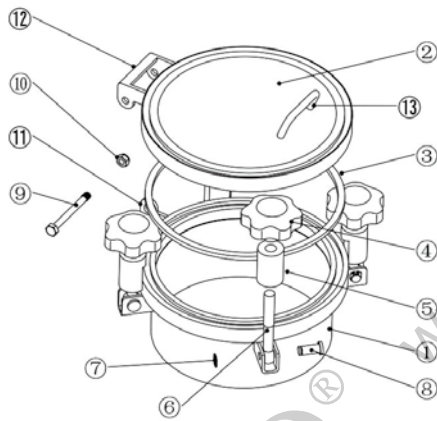
Main Material: SS304, SS316L

Inner Surface Finish: mirror polish, matt polish

Outer Surface Finish: mirror polish, matt polish, matt, sandblasted

Parts List

| No. | Description | Material | Quality |
|-----|-------------|--------------------|---------|
| 1 | Frame | 304 / 316L | 1 |
| 2 | Cover | 304 / 316L | 1 |
| 3 | Gasket | Silicone | 1 |
| 4 | Handwheel | SS304 / ABS / RING | |
| 5 | Hub | 304 | |
| 6 | Swing Bolt | 304 | |
| 7 | Snap Ring | 304 | |
| 8 | Pin | 304 | |
| 9 | Hex Bolt | 304 | 1 |
| 10 | Nut | 304 | 1 |
| 11 | Lower Hinge | 304 | 1 |
| 12 | Upper Hinge | 304 | 1 |
| 13 | Handle | 304 | 1 |



JOF-MHR003-02S

Dimensions

| Size | OD | H | t | t1 |
|------|-----|-----|---|-----|
| 80 | 89 | 100 | 3 | 2.5 |
| 100 | 108 | 100 | 3 | 2.5 |
| 125 | 133 | 100 | 3 | 2.5 |
| 150 | 159 | 100 | 3 | 2.5 |
| 200 | 206 | 100 | 3 | 2.5 |
| 219 | 219 | 100 | 3 | 2.5 |
| 250 | 256 | 100 | 3 | 2.5 |

The height (H) and collar (t) can be customized on request

Pressure Handhole With Sight Glass



Product Introduction

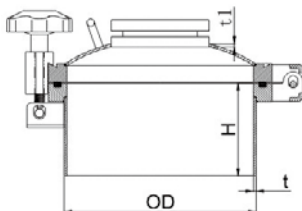
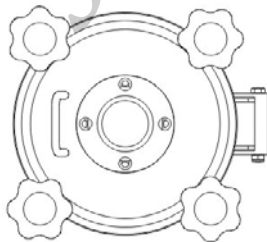
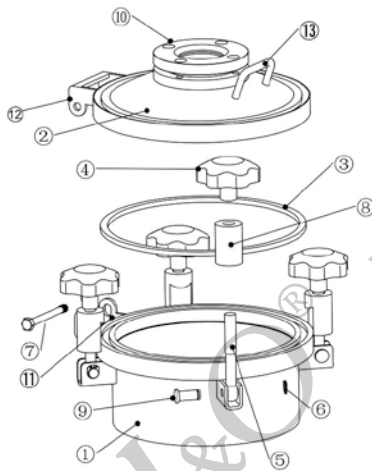
The pressure handhole with sight glass can be used for the control of water, gas, oil and corrosive media in industries such as chemical, petroleum, plumbing, food, and pharmaceuticals.

Sealing Material: EPDM, NBR, silicone, viton

Main Material: SS304, SS316L

Inner Surface Finish: mirror polish, matt polish

Outer Surface Finish: mirror polish, matt polish, sandblasted



JOF-MHR006S

Parts List

| No. | Description | Material | Quality |
|-----|-------------|-------------------|---------|
| 1 | Frame | 304 / 316L | 1 |
| 2 | Cover | 304 / 316L | 1 |
| 3 | Gasket | Silicone | 1 |
| 4 | Handwheel | S304 / ABS / RING | |
| 5 | Swing Bolt | 304 | |
| 6 | Pin | 304 | |
| 7 | Hex Bolt | 304 | 1 |
| 8 | Hub | 304 | 1 |
| 9 | Snap Ring | 304 | |
| 10 | Sight Glass | 304 | 1 |
| 11 | Lower Hinge | 304 | 1 |
| 12 | Upper Hinge | 304 | 1 |
| 13 | Handle | 304 | 1 |

Dimensions

| Size | OD | H | t | t1 |
|------|-----|-----|---|-----|
| 200 | 206 | 100 | 3 | 2.5 |
| 219 | 219 | 100 | 3 | 2.5 |
| 250 | 256 | 100 | 3 | 2.5 |
| 300 | 306 | 100 | 3 | 2.5 |

The height (H) and collar (t) can be customized on request

Rectangular Manhole With Single Lock



Product Introduction

Applications: observation holes, tanks

Category: sanitary square manhole series

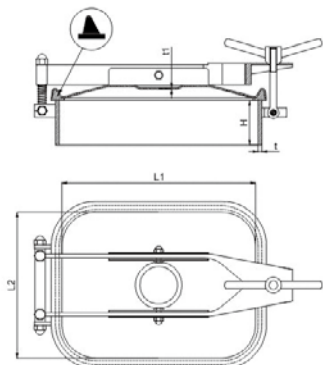
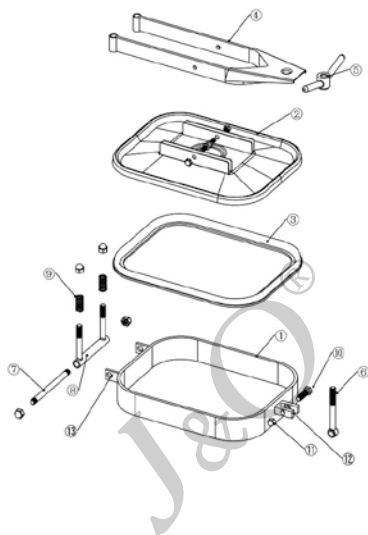
Name: Square Manhole, Rectangular Manhole

Material: 304, 316L, etc. (other materials can be customized)

Features: The manhole adopts a quick opening structure, which is safe, practical and easy to open. This type of manhole is mostly installed on the side of the tank. It is used in conditions where access to large tanks and containers is required to be lockable. Internal and external mirror polish or matt polish.

Parts List

| No. | Description | Material | Quality |
|-----|---------------------|------------|---------|
| 1 | Frame | 304 / 316L | 1 |
| 2 | Cover | 304 / 316L | 1 |
| 3 | Gasket | Silicone | 1 |
| 4 | Bracket | 304 / 316L | 1 |
| 5 | Top Nut | 304 | 1 |
| 6 | Swing Bolt | 304 | 1 |
| 7 | Screw | 304 | 1 |
| 8 | Back Hinge Support | 304 | 1 |
| 9 | Spring | 304 | 2 |
| 10 | Hex Bolt | 304 | 2 |
| 11 | Nut | 304 | 3 |
| 12 | Rear Fixed Support | 304 | 1 |
| 13 | Front Fixed Support | 304 | 1 |



JOF-MHS003

Dimensions

| Size | L1 | L2 | H | t | t1 |
|---------|-----|-----|----|----|-----|
| 435×335 | 419 | 319 | 80 | 8 | 2.5 |
| 411×531 | 515 | 395 | 80 | 8 | 3 |
| 431×531 | 515 | 415 | 80 | 8 | 3 |
| 415×535 | 515 | 395 | 80 | 10 | 3 |
| 435×535 | 515 | 415 | 80 | 10 | 3 |

The height (H) and collar (t) can be customized on request

Rectangular Manhole With Double Lock



Product Introduction

Applications: observation holes, tanks

Category: sanitary square manhole series

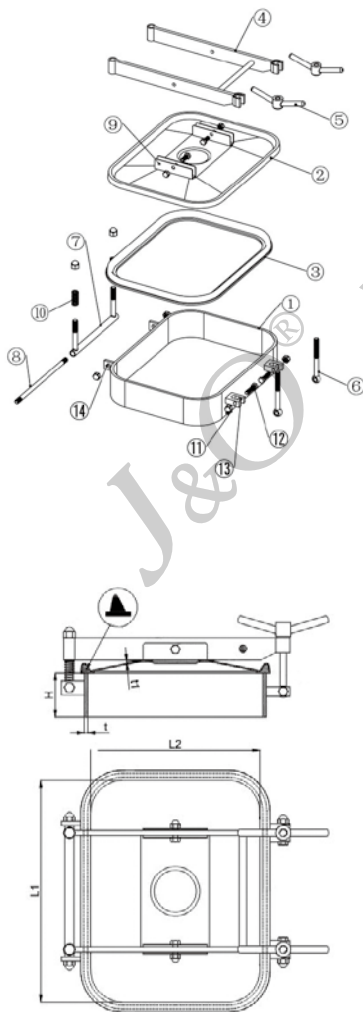
Name: Square Manhole, Rectangular Manhole

Material: 304, 316L, etc. (other materials can be customized)

Features: The manhole adopts a quick opening structure, which is safe, practical and easy to open. This type of manhole is mostly installed on the side of the tank. It is used in conditions where access to large tanks and containers is required to be lockable. Internal and external mirror polish or matt polish.

Parts List

| No. | Description | Material | Quality |
|-----|---------------------|------------|---------|
| 1 | Frame | 304 / 316L | 1 |
| 2 | Cover | 304 / 316L | 1 |
| 3 | Gasket | Silicone | 1 |
| 4 | Bracket | 304 | 1 |
| 5 | Top Nut | 304 | 2 |
| 6 | Swing Bolt | 304 | 2 |
| 7 | Back Hinge Support | 304 | 1 |
| 8 | Screw | 304 | 1 |
| 9 | Cover Support | 304 | 2 |
| 10 | Spring | 304 | 2 |
| 11 | Nut | 304 | 6 |
| 12 | Bolt | 304 | 4 |
| 13 | Front Fixed Support | 304 | 1 |
| 14 | Black Fixed Support | 304 | 1 |



Dimensions

| Size | L1 | L2 | H | t | t1 | Pres (Bar) |
|---------|-----|-----|----|----|-----|------------|
| 435×335 | 419 | 319 | 80 | 8 | 2.5 | 1-3 |
| 411×535 | 515 | 395 | 80 | 8 | 3 | 1-3 |
| 431×535 | 515 | 415 | 80 | 8 | 3 | 1-3 |
| 415×535 | 515 | 395 | 80 | 10 | 3 | 1-3 |
| 435×535 | 515 | 415 | 80 | 10 | 3 | 1-3 |

The height (H) and collar (t) can be customized on request

JOF-MHS002

Square Handhole



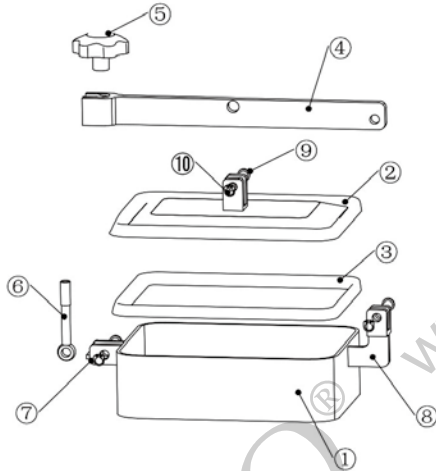
Product Introduction

Category: sanitary square handhole series

Name: Square Handhole, Rectangular Handhole

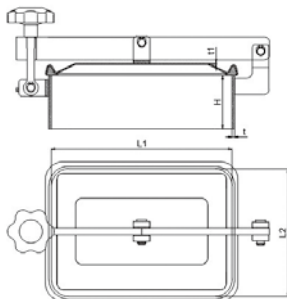
Material: 304, 316L, etc. (other materials can be customized)

Features: The handhole adopts a quick opening structure, which is safe, practical and easy to open, withstand pressure $\leq 0.2\text{MPa}$. It is widely used in movable tanks and fixed tanks. It is mainly installed on the side of stainless steel tanks and containers. Internal and external mirror polish or matt polish.



Parts List

| No. | Description | Material | Quality |
|-----|--------------------|-------------------|---------|
| 1 | Frame | 304 / 316L | 1 |
| 2 | Cover | 304 / 316L | 1 |
| 3 | Gasket | Silicone | 1 |
| 4 | Bracket | 304 | 1 |
| 5 | Handwheel | S304 / ABS / Ring | 1 |
| 6 | Swing Bolt | 304 | 1 |
| 7 | Back Hinge Support | 304 | 1 |
| 8 | Lug | 304 | 1 |
| 9 | Pin | 304 | 1 |
| 10 | Snap Ring | 304 | 1 |



JOF-MHS001

Dimensions

| Size | L1 | L2 | H | t | t1 |
|---------|-----|-----|----|---|----|
| 150×250 | 242 | 142 | 80 | 4 | 2 |
| 185×235 | 227 | 177 | 80 | 4 | 2 |
| 200×280 | 270 | 190 | 80 | 5 | 2 |
| 230×330 | 320 | 220 | 80 | 5 | 2 |

The height (H) and collar (t) can be customized on request

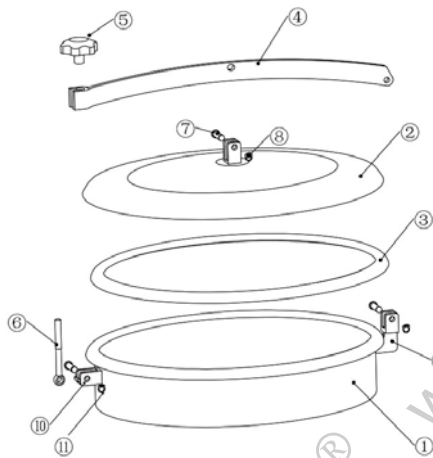
Oval Manhole Cover without Pressure



Product Introduction

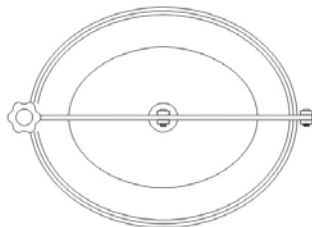
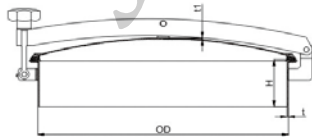
J&O Oval Manhole Cover without Pressure is the most common manhole, which fits the non-pressure tanks. It is generally installed on the top of the tank. It is the entrance and exit for production workers and maintenance workers when building, cleaning and pouring tanks.

The strength and sealing performance of manholes are key technologies, but only for pressure manholes. The requirements for strength and sealing performance of non-pressure manholes are not so high.



Parts List

| No. | Description | Material | Quality |
|-----|--------------------|------------|---------|
| 1 | Frame | 304 / 316L | 1 |
| 2 | Cover | 304 / 316L | 1 |
| 3 | Gasket | Silicone | 1 |
| 4 | Bracket | 304 / 316L | 1 |
| 5 | Handwheel | 304 | 1 |
| 6 | Swing Bolt | 304 | 1 |
| 7 | Pin | 304 | 2 |
| 8 | Snap Ring | 304 | 2 |
| 9 | Back Hinge Support | 304 | 1 |
| 10 | Pin | 304 | 1 |
| 11 | Snap Ring | 304 | 1 |



Dimensions

| Size | OD | H | t | t1 |
|---------|---------|-----|-----|-----|
| 250×350 | 250×350 | 100 | 2.5 | 2 |
| 300×420 | 300×420 | 100 | 3 | 2 |
| 330×430 | 330×430 | 100 | 3 | 2 |
| 350×450 | 350×450 | 100 | 3 | 2.5 |
| 430×530 | 430×530 | 100 | 3 | 2.5 |

The height (H) and collar (t) can be customized on request

JOF-MHO203

Oval Manhole With Sight Glass



Product Introduction

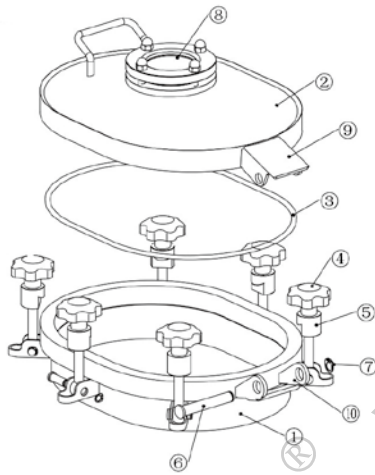
Material: SS304, SS316L

Pressure Range: 0.1-0.3MPa

Surface Finish: mirror polish, matt polish

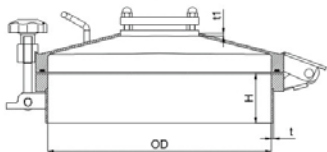
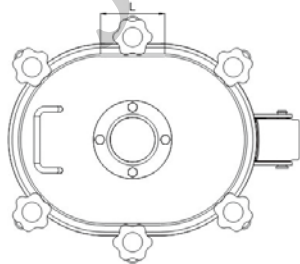
Features: quick opening style, nice and practical design, can be welded on the side, top and bottom of the tank body

Applications: food tanks, pharmaceutical tanks, chemical tanks, etc



Parts List

| No. | Description | Material | Quality |
|-----|-------------|------------------|---------|
| 1 | Frame | 304 / 316L | 1 |
| 2 | Cover | 304 / 316L | 1 |
| 3 | Gasket | silicone | 1 |
| 4 | Handwheel | 304 / ABS / Ring | 1 |
| 5 | Hub | 304 | 1 |
| 6 | Pin | 304 | 1 |
| 7 | Snap Ring | 304 | 1 |
| 8 | Sight Glass | 304 | 1 |
| 9 | Upper Hinge | 304 | 1 |
| 10 | Lower Hinge | 304 | 1 |



Dimensions

| Size | OD | H | L | t | t1 |
|---------|---------|----|-----|---|----|
| 250×400 | 250×400 | 90 | 150 | 4 | 4 |
| 300×400 | 300×400 | 90 | 100 | 4 | 4 |

The height (H) and collar (t) can be customized on request

JOF-MHOP204

Oval Inward Manhole



Product Introduction

This type of manhole is mainly used on the side of the tank body.

Stainless steel handwheel (or according to customer requirements).

Internal Surface Finish: mirror polish Ra 0.4um-0.6um

External Surface Finish: mirror or matt polish, sandblasting

Pressure Range: 0.1-0.3MPa

Sealing Material: EPDM, NBR, silicone, viton

Frame Thickness: 8mm/10mm

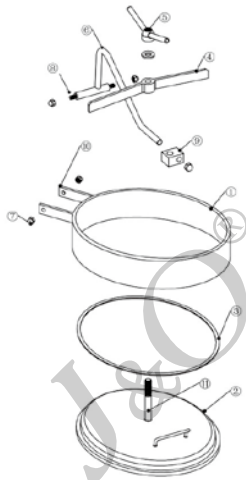
Cover Thickness: 2.5mm/3mm

Height: 80mm

Applications: food, beer, beverage tanks, etc

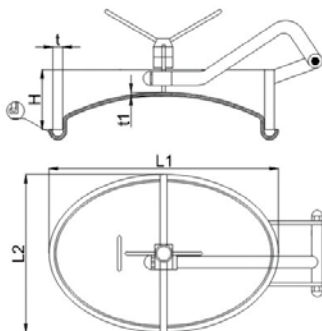
Operation: Release the handwheel and push inward

Handle: Spanner type / handwheel type



Parts List

| No. | Description | Material | Quality |
|-----|----------------|------------|---------|
| 1 | Frame | 304 / 316L | 1 |
| 2 | Cover | 304 / 316L | 1 |
| 3 | Gasket | Silica Gel | 1 |
| 4 | Bracket | 304 | 1 |
| 5 | Spanner Handle | Silicone | 1 |
| 6 | Suspension Arm | 304 | 1 |
| 7 | Hex Nut | 304 | 2 |
| 8 | Bolt | 304 | 1 |
| 9 | Hub | 304 / ABS | 1 |
| 10 | Support Lug | 304 | 2 |
| 11 | Screw | 304 | 1 |



Dimensions

| Size | L | L2 | H | t | t1 |
|---------|-----|-----|----|----|-----|
| 430×330 | 430 | 330 | 80 | 8 | 2.5 |
| 450×350 | 450 | 350 | 80 | 8 | 2.5 |
| 530×430 | 530 | 430 | 80 | 8 | 3 |
| 530×430 | 530 | 430 | 80 | 10 | 3 |
| 635×525 | 635 | 525 | 80 | 10 | 3 |

The height (H) and collar (t) can be customized on request

JOF-MHO202

Oval Inward Manhole With Bevel Edge



Product Introduction

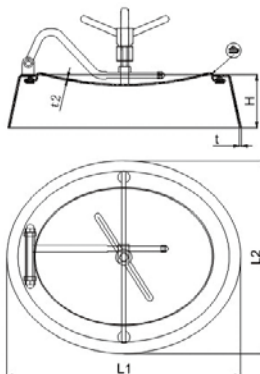
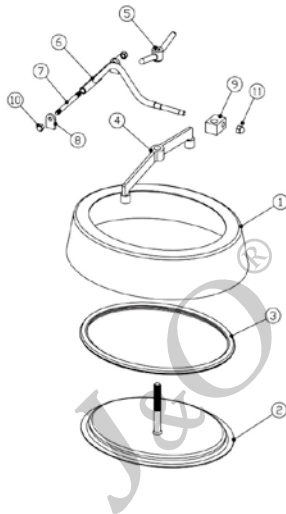
Features: Compared to ordinary inward manhole, this type of manhole is easy to clean and residues are not easily retained. It is suitable for equipment with high cleanliness requirements in fields such as food and pharmaceuticals, etc. Material is ensured by providing inspection reports.

Pressure Range: 0-0.4 MPa working pressure

Product material: SS304, SS316L

Surface Finish: mirror polish inside and outside, or mirror polish inside and matte polish outside

Applications: necessary accessories for equipment such as food tanks, beer tanks, etc.



JOF-MHO201

Parts List

| No. | Description | Material | Quality |
|-----|----------------|------------|---------|
| 1 | Frame | 304 / 316L | 1 |
| 2 | Cover | 304 / 316L | 1 |
| 3 | Gasket | Silicone | 1 |
| 4 | Bracket | 304 | 1 |
| 5 | Spanner Handle | 304 | 1 |
| 6 | Suspension Arm | 304 | 1 |
| 7 | Bolt | 304 | 1 |
| 8 | Support Lug | 304 | 2 |
| 9 | Hub | 304 / ABS | 1 |
| 10 | Nut | 304 | 2 |
| 11 | Nut | 304 | 1 |

Dimensions

| Size | L | L2 | H | t | t1 | Pres (Bar) |
|----------|-----|-----|-----|---|----|------------|
| 550×450 | 550 | 450 | 80 | 5 | 4 | 1-3 |
| 550×450A | 550 | 450 | 80 | 4 | 4 | 1-3 |
| 565×465 | 565 | 465 | 100 | 5 | 4 | 1-3 |
| 580×485 | 580 | 480 | 133 | 5 | 4 | 1-3 |

The height (H) and collar (t) can be customized on request

Round Manhole with Ribbed Without Pressure



Product Introduction

Compared with the ordinary atmospheric manholes, the cover design of the sanitary ribbed manholes is unique. The cover is easy to open, and it can be opened 180 degrees and rotated 360 degrees. The sealing ring is installed on the cover, which can meet the hygienic requirements of food tanks and other ordinary tanks. Due to limited pressure resistance, this manhole can only be installed on the top of the tank.

Name: Stainless Steel Ribbed Manhole

Material: SS304, SS316L

Handwheel: Plastic, Stainless Steel

Inner Surface Finish: mirror polish, matt polish

Outer Surface Finish: mirror polish, matt polish, sandblasted

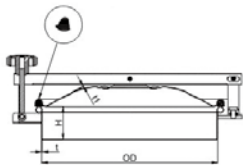
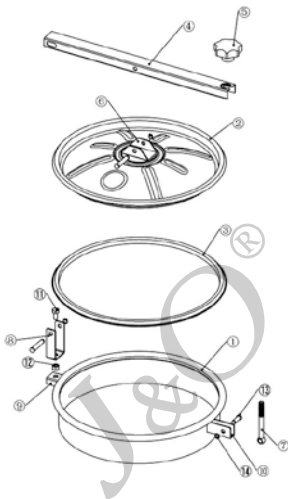
Pressure: atmospheric pressure

Gasket: EPDM, NBR, silicone, FKM

Height: 100mm or customized on request

Parts List

| No. | Description | Material | Quality |
|-----|-----------------------|------------|---------|
| 1 | Frame | 304 / 316L | 1 |
| 2 | Cover | 304 / 316L | 1 |
| 3 | Gasket | Silicone | 1 |
| 4 | Bracket | 304 | 1 |
| 5 | Handwheel | 304 | 1 |
| 6 | Upper Hinge Support | 304 | 1 |
| 7 | Swing Bolt | 304 | 1 |
| 8 | Back Hinge Support | 304 | 1 |
| 9 | Back Mounting Support | 304 | 1 |
| 10 | Front Support Lug | 304 | 1 |
| 11 | Hex Bolt | 304 | 1 |
| 12 | Hex Nut | 304 | 1 |
| 13 | Pin | 304 | 1 |
| 14 | Snap Ring | 304 | 1 |



JOF-MHR002

Dimensions

| Size | OD | H | t | t1 |
|------|-----|-----|---|-----|
| 400 | 400 | 100 | 2 | 1.5 |
| 450 | 450 | 100 | 2 | 1.5 |
| 500 | 500 | 100 | 2 | 1.5 |

The height (H) and collar (t) can be customized on request

Fan-Shaped Manhole



Product Introduction

The fan-shaped manhole is a product designed specifically for small diameter mixing tanks, characterized by saving space and maximizing the feeding port in the case of small ends. It is very convenient for workers to enter and exit the tank. Its unique shaped design is very suitable for small tanks.

Material: SS304, SS316L

Pressure: atmospheric pressure

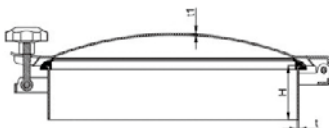
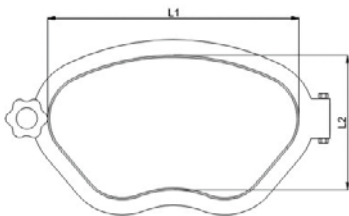
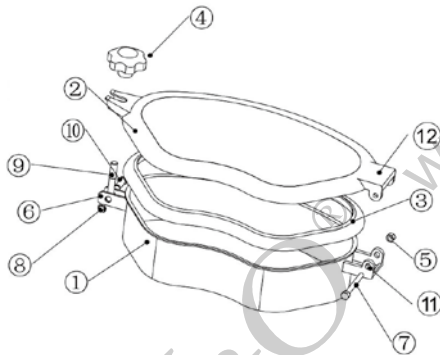
Inner Surface Finish: mirror polish, matt polish

Outer Surface Finish: mirror polish, matt polish

Applications: necessary accessories for equipments in the fields of food, biopharmaceuticals, beer and dairy

Parts List

| No. | Description | Material | Quantity |
|-----|-------------------|------------------|----------|
| 1 | Frame | 304 / 316L | 1 |
| 2 | Cover | 304 / 316L | 1 |
| 3 | Gasket | Silicone | 1 |
| 4 | Handwheel | 304 / ABS / Ring | 1 |
| 5 | Hex Nut | 304 | 1 |
| 6 | Front Support Lug | 304 | 1 |
| 7 | Hex Nut | 304 | 1 |
| 8 | Hex Nut | 304 | 1 |
| 9 | Swing Bolt | 304 | 1 |
| 10 | Pin | 304 | 1 |
| 11 | Lower Hinge | 304 | 1 |
| 12 | Upper Hinge | 304 | 1 |



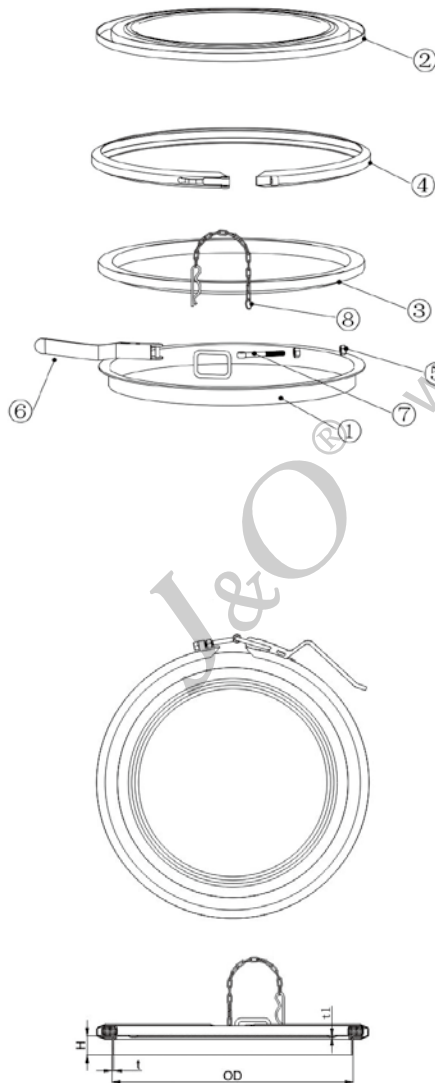
JOF-MHFS

Dimensions

| Size | L1 | L2 | H | t | t1 |
|---------|-----|-----|----|-----|----|
| 417×224 | 417 | 224 | 90 | 2.5 | |

The height (H) and collar (t) can be customized on request

Clamp Type Manhole



JOF-MHCLP01

Product Introduction

The clamp type manhole, also known as the quick release manhole or powder manhole, is a feeding device used on the top of the powder tank. It is generally used on pharmaceutical turnover powder silos and some lithium battery material turnover powder silo equipments.

Surface Finish: mirror polish inside, mirror polish or matte polish outside, Ra ≤ 0.6um

Parts List

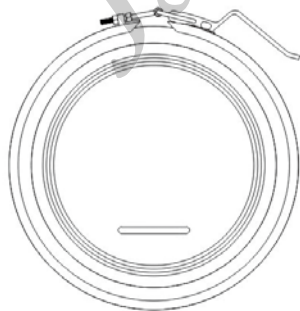
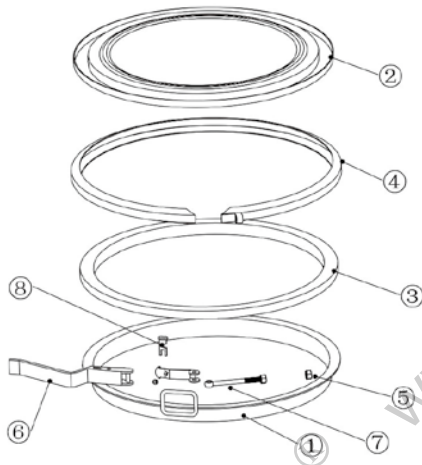
| No. | Description | Material | Quality |
|-----|-------------|------------|---------|
| 1 | Frame | 304 / 316L | 1 |
| 2 | Cover | 304 / 316L | 1 |
| 3 | Gasket | Silicone | 1 |
| 4 | Clamp | 304 | 1 |
| 5 | Hex Nut | 304 | 2 |
| 6 | Handle | 304 | 1 |
| 7 | Swing Bolt | 304 | 1 |
| 8 | Chain | 304 | 1 |

Dimensions

| Size | OD | H | t | t1 |
|------|-----|----|-----|-----|
| 300 | 300 | 35 | 2.5 | 1.5 |
| 350 | 350 | 35 | 2.5 | 1.5 |
| 400 | 400 | 35 | 2.5 | 1.5 |
| 450 | 450 | 35 | 2.5 | 1.5 |
| 500 | 500 | 35 | 2.5 | 1.5 |
| 600 | 600 | 35 | 3 | 2 |

The height (H) and collar (t) can be customized on request

Clamp Type Manhole



JOF-MHCLP02

Product Introduction

The clamp type manhole, also known as the quick release manhole or powder manhole, is a feeding device used on the top of the powder tank. It is generally used on pharmaceutical turnover powder silos and some lithium battery material turnover powder silo equipments.

Pressure: atmospheric pressure

Inner Surface Finish: mirror polish, matt polish

Outer Surface Finish: mirror polish, mattpolish

Parts List

| No. | Description | Material | Quantity |
|-----|-------------|------------|----------|
| 1 | Frame | 304 / 316L | 1 |
| 2 | Cover | 304 / 316L | 1 |
| 3 | Gasket | Silicone | 1 |
| 4 | Clamp | 304 | 1 |
| 5 | Hex Nut | 304 | 2 |
| 6 | Handle | 304 | 1 |
| 7 | Swing Bolt | 304 | 1 |
| 8 | Pin | 304 | 1 |

Dimensions

| Spec | OD | H | t | t1 |
|------|-----|----|-----|-----|
| 300 | 300 | 35 | 2.5 | 1.5 |
| 350 | 350 | 35 | 2.5 | 1.5 |
| 400 | 400 | 35 | 2.5 | 1.5 |
| 450 | 450 | 35 | 2.5 | 1.5 |
| 500 | 500 | 35 | 2.5 | 1.5 |
| 600 | 600 | 35 | 3 | 2 |

The height (H) and collar (t) can be customized on request



J&O FLUID CONTROL CO., LIMITED

Address: Binhai ETDZ, 5 Road, Longwan, Wenzhou, China. 325000

Tel: +86 577 8663 2750

Fax: +86 577 8663 2850

Mob./WhatsApp: +86 186 5778 5727

Site: www.sanitary-valves.com

Email: Info@jo-pv.com

With more than 15 years of market experiences, we have become the leading supplier service for pharmaceutical, chemical, food, Beverage and Lithium battery companies



Site Code



WhatsApp Code