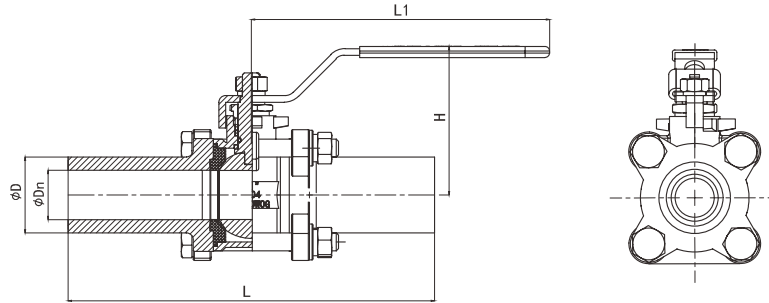


Sanitary Stainless Steel Ball Valve

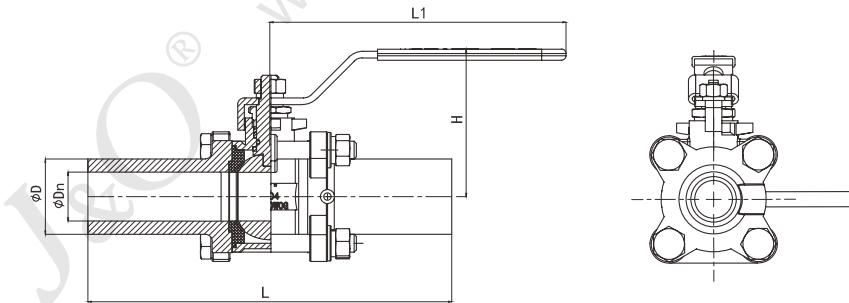
J&O FLUID CONTROL CO., LIMITED



JOV-BHM2007-11

3PC Long Type Manual Ball Valve Weld End

Size	ØDn	ØD	H	L	L1
1/2"	9.4	12.7	56	120	105
3/4"	15.8	19.1	60	156	105
1.0"	22.1	25.4	66	164	135
1.25"	28.5	31.8	78	172	135
1.5"	34.8	38.1	88	194	170
2.0"	47.5	50.8	95	222	170
2.5"	60.2	63.5	131	235	210
3.0"	72.9	76.2	143	248	223
4.0"	97.4	101.6	164	325	320



JOV-BHM2007PG-11

3PC Manual Ball Valve With Purge Port for Vacuum System

Size	ØDn	ØD	H	L	L1
1/2"	9.4	12.7	56	120	105
3/4"	15.8	19.1	60	156	105
1.0"	22.1	25.4	66	164	135
1.25"	28.5	31.8	78	172	135
1.5"	34.8	38.1	88	194	170
2.0"	47.5	50.8	95	222	170
2.5"	60.2	63.5	131	235	210
3.0"	72.9	76.2	143	248	223
4.0"	97.4	101.6	164	325	320