

Clamp Type Non-Retention Ball Valve



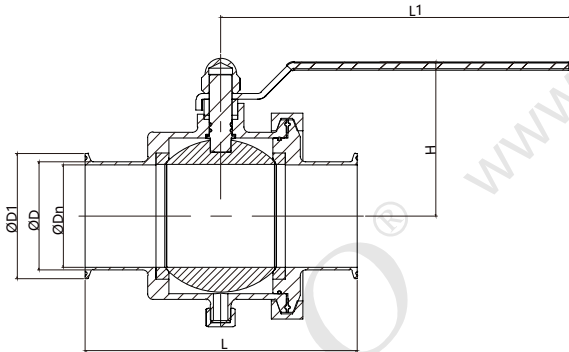
Tri-Clamp No-Retention Ball Valve

Applications:

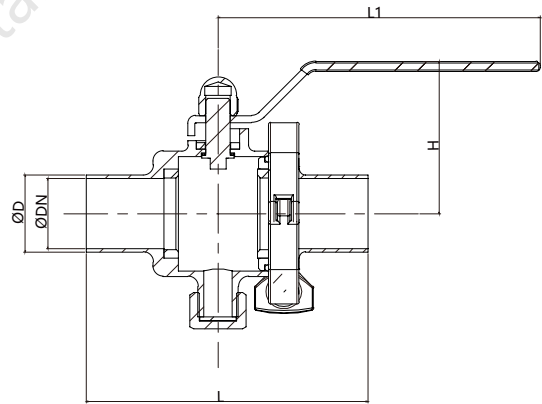
This kind of ball valve is applied to pharmacy and biotechnology industries.

Design Features:

- Valve bodies are combined by clamp.
- Easily disassembled without special tools.
- Small Operating torque.
- With cleaning and drainage port.
- Seal Material: PTFE, conforming to FDA117.2600
- Connection: clamp, weld, thread
- Size: 1/2"-4"/DN15-DN100
- Standard: 3A, DIN, SMS, IDF, RJT, BPE, ISO
- The valve body can be changed with different connections, but the length will not change.



JOV-BHM2004D-22



JOV-BHM2004D-11

3A Manual Clamp Type Non-Retention Ball Valve (Weld/Clamp)

Size	ØDn	ØD	ØD1	L	L1	H
1/2"	9.4	12.7	25.2	90	110	60
3/4"	15.8	19.1	25.2	93	114	62
1"	22.1	25.4	50.5	124	140	63
1.25"	28.5	31.8	50.5	128	140	70
1.5"	34.8	38.1	50.5	139	160	75
2"	47.5	50.8	64	165	175	94
2.5"	60.2	63.5	77.5	190	225	121
3"	72.9	76.2	91	210	250	126
4"	97.4	101.6	119	260	333	147