

DIN11864 Aseptic Connections



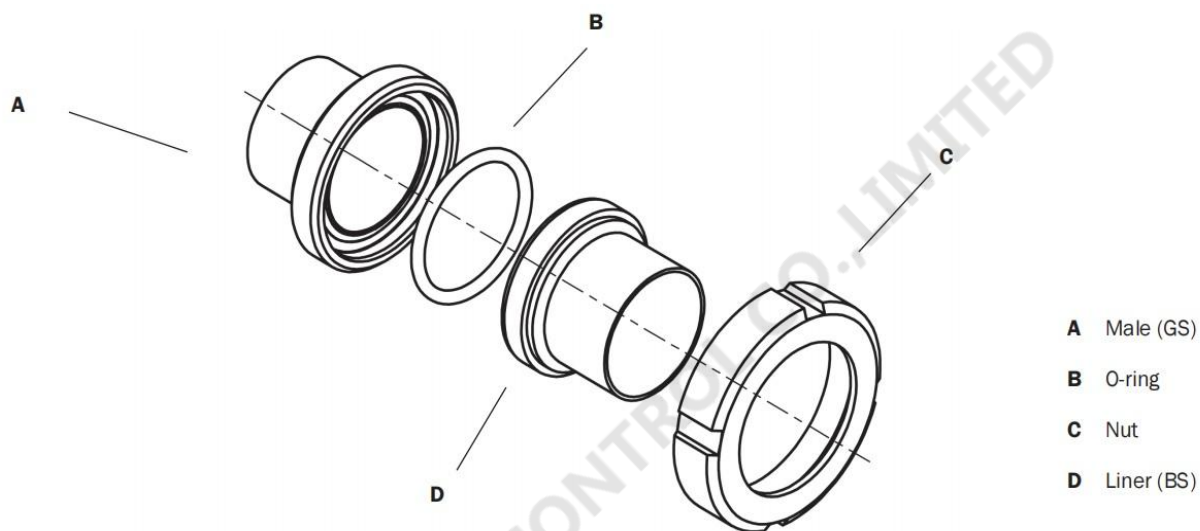
DIN11864 connection fittings made of stainless steel for aseptic applications in chemical and pharmaceutical industry.

DIN 11864-1: Unions

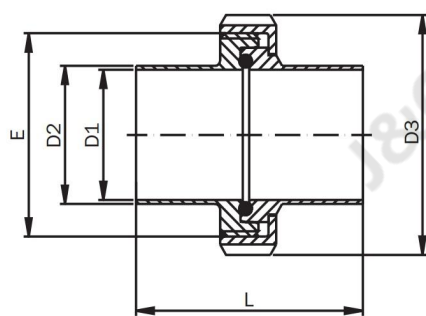
DIN 11864-2: Flange connections

DIN11864-3: Clamp connections

Unions

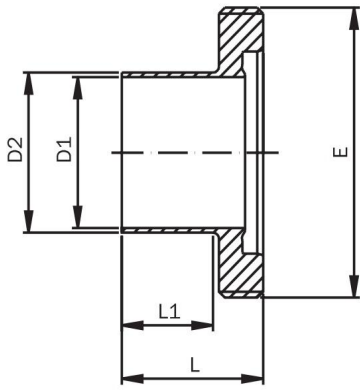


DIN 11864-1 Union



JO-11864-1-UN

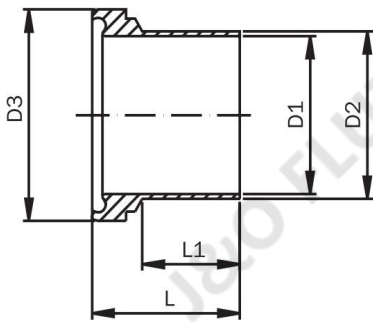
Size	D1	D2	D3	E	L
DN10	10	13	38	Rd 28 x 1/8"	76
DN15	16	19	44	Rd 34 x 1/8"	76
DN20	20	23	54	Rd 44 x 1/6"	76
DN25	26	29	63	Rd 52 x 1/6"	77
DN32	32	35	70	Rd 58 x 1/6"	88
DN40	38	41	78	Rd 65 x 1/6"	88
DN50	50	53	92	Rd 78 x 1/6"	89
DN65	66	70	112	Rd 95 x 1/6"	113
DN80	81	85	127	Rd 110 x 1/4"	117
DN100	100	104	148	Rd 130 x 1/4"	120



JO-11864-1-M

DIN 11864-1 Male

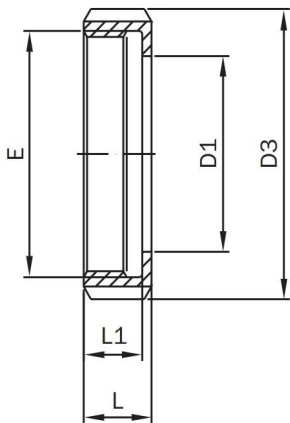
Size	D1	D2	E	L	L1
DN10	10	13	Rd 28 x 1/8"	41	27
DN15	16	19	Rd 34 x 1/8"	41	27
DN20	20	23	Rd 44 x 1/6"	43	26
DN25	26	29	Rd 52 x 1/6"	43	26
DN32	32	35	Rd 58 x 1/6"	48	32
DN40	38	41	Rd 65 x 1/6"	48	31
DN50	50	53	Rd 78 x 1/6"	48	30
DN65	66	70	Rd 95 x 1/6"	60	40
DN80	81	85	Rd 110 x 1/4"	64	40
DN100	100	104	Rd 130 x 1/4"	64	40



JO-11864-1-L

DIN 11864-1 Liner

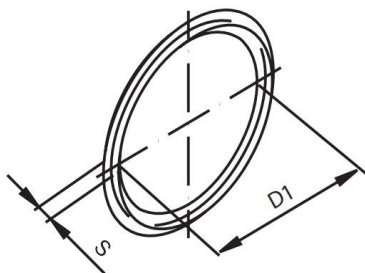
Size	D1	D2	D3	L	L1
DN10	10	13	21.9	39	27
DN15	16	19	27.9	39	27
DN20	20	23	35.9	38	26
DN25	26	29	42.9	40	26
DN32	32	35	48.9	47	32
DN40	38	41	54.9	47	31
DN50	50	53	66.9	48	30
DN65	66	70	84.9	61	40
DN80	81	85	98.9	61	40
DN100	100	104	118.9	66	40



JO-11864-1-N

DIN 11864-1 Nut

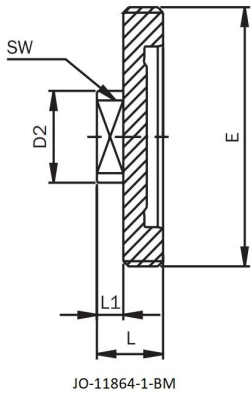
Size	D1	D3	E	L	L1
DN10	19	38	Rd 28 x 1/8"	18	15
DN15	25	44	Rd 34 x 1/8"	18	15
DN20	31	54	Rd 44 x 1/6"	20	17
DN25	36	63	Rd 52 x 1/6"	21	18
DN32	42	70	Rd 58 x 1/6"	21	18
DN40	49	78	Rd 65 x 1/6"	21	18
DN50	62	92	Rd 78 x 1/6"	22	19
DN65	80	112	Rd 95 x 1/6"	25	21
DN80	94	127	Rd 110 x 1/4"	29	25
DN100	115	148	Rd 130 x 1/4"	31	26



JO-11864-1-OR

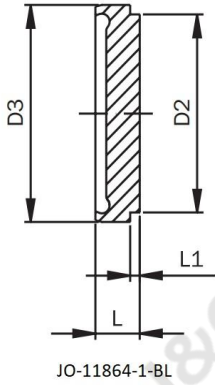
DIN 11864-1 O-ring

Size	D1	S
DN10	12	3.5
DN15	18	3.5
DN20	22	3.5
DN25	28	3.5
DN32	34	5
DN40	40	5
DN50	52	5
DN65	68	5
DN80	83	5
DN100	102	5
DN125	127	5
DN150	152	5



DIN 11864-1 Blind Male

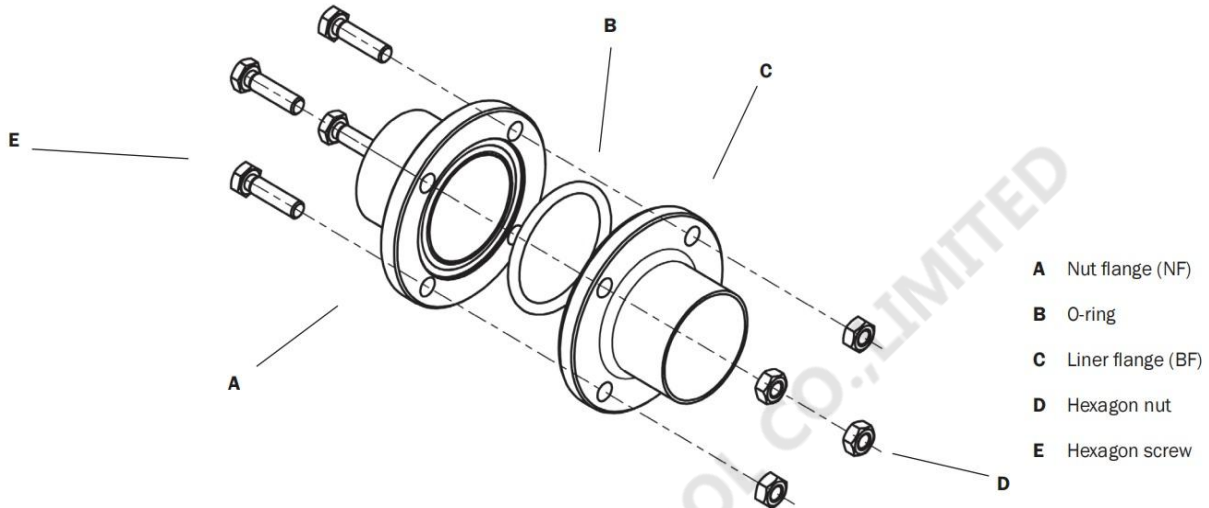
Size	D2	E	SW	L	L1
DN10	22	Rd 28 x 1/8"	17	24	12
DN15	22	Rd 34 x 1/8"	17	24	12
DN20	22	Rd 44 x 1/6"	17	24	10
DN25	40	Rd 52 x 1/6"	27	24	10
DN32	40	Rd 58 x 1/6"	27	24	10
DN40	40	Rd 65 x 1/6"	27	24	10
DN50	40	Rd 78 x 1/6"	27	24	10
DN65	48	Rd 95 x 1/6"	32	28	12
DN80	48	Rd 110 x 1/4"	32	28	8
DN100	48	Rd 130 x 1/4"	32	30	10



DIN 11864-1 Blind Liner

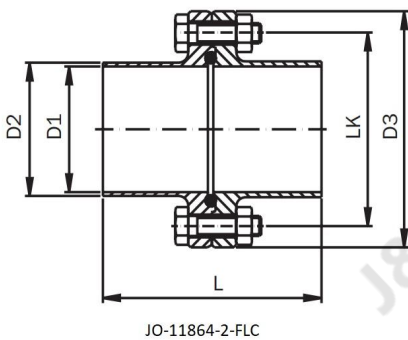
Size	D2	D3	L	L1
DN10	18	21.9	9	3
DN15	24	27.9	9	3
DN20	30	35.9	10	3
DN25	35	42.9	12	3
DN32	41	48.9	13	3
DN40	48	54.9	13	3
DN50	61	66.9	14	3
DN65	79	84.9	16	4
DN80	93	98.9	16	4
DN100	114	118.9	20	5

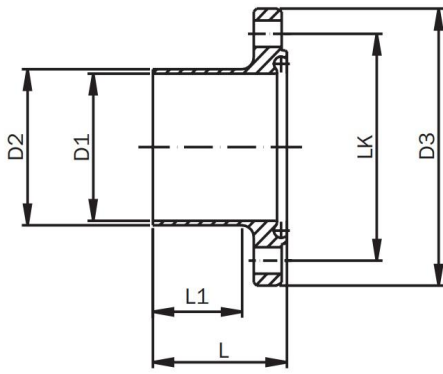
Flange Connections



DIN 11864-2 Flange Connection

Size	D1	D2	D3	LK	L
DN10	10	13	54	37 4/M8 x 30	80
DN15	16	19	59	42 4/M8 x 30	80
DN20	20	23	64	47 4/M8 x 30	80
DN25	26	29	70	53 4/M8 x 30	80
DN32	32	35	76	59 4/M8 x 30	90
DN40	38	41	82	65 4/M8 x 30	90
DN50	50	53	94	77 4/M8 x 30	90
DN65	66	70	113	95 8/M8 x 30	108
DN80	81	85	133	112 8/M10 x 35	116
DN100	100	104	159	137 8/M10 x 40	116
DN125	125	129	183	161 8/M10 x 40	120
DN150	150	154	213	188 8/M10 x 50	120

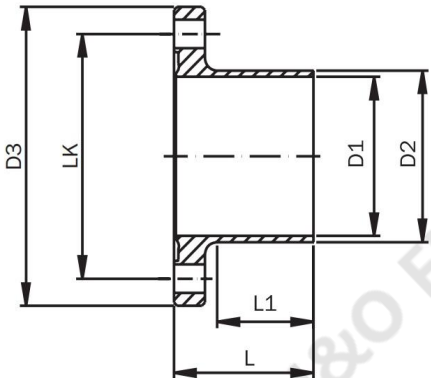




JO-11864-2-NF

DIN 11864-2 Nut Flange

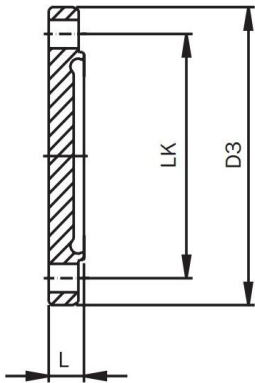
Size	D1	D2	D3	LK	L	L1
DN10	10	13	54	37 4 x Ø9	41.5	26
DN15	16	19	59	42 4 x Ø9	41.5	26
DN20	20	23	64	47 4 x Ø9	41.5	26
DN25	26	29	70	53 4 x Ø9	41.5	26
DN32	32	35	76	59 4 x Ø9	46.5	31
DN40	38	41	82	65 4 x Ø9	46.5	31
DN50	50	53	94	77 4 x Ø9	46.5	31
DN65	66	70	113	95 8 x Ø9	55.5	42
DN80	81	85	133	112 8 x Ø11	59.5	42
DN100	100	104	159	137 8 x Ø11	59.5	42
DN125	125	129	183	161 8 x Ø11	61.5	42
DN150	150	154	213	188 8 x Ø11	61.5	40



JO-11864-2-LF

DIN 11864-2 Liner Flange

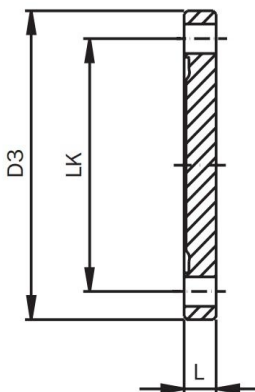
Size	D1	D2	D3	LK	L	L1
DN10	10	13	54	37 4 x Ø9	40	26
DN15	16	19	59	42 4 x Ø9	40	26
DN20	20	23	64	47 4 x Ø9	40	26
DN25	26	29	70	53 4 x Ø9	40	26
DN32	32	35	76	59 4 x Ø9	45	31
DN40	38	41	82	65 4 x Ø9	45	31
DN50	50	53	94	77 4 x Ø9	45	31
DN65	66	70	113	95 8 x Ø9	54	42
DN80	81	85	133	112 8 x Ø11	58	42
DN100	100	104	159	137 8 x Ø11	58	42
DN125	125	129	183	161 8 x Ø11	60	42
DN150	150	154	213	188 8 x Ø11	60	40



JO-11864-2-BNF

DIN 11864-2 Blind Nut Flange

Size	D3	LK	L
DN10	54	37 4 x Ø9	11.5
DN15	59	42 4 x Ø9	11.5
DN20	64	47 4 x Ø9	11.5
DN25	70	53 4 x Ø9	11.5
DN32	76	59 4 x Ø9	11.5
DN40	82	65 4 x Ø9	11.5
DN50	94	77 4 x Ø9	11.5
DN65	113	95 8 x Ø9	11.5
DN80	133	112 8 x Ø11	13.5
DN100	159	137 8 x Ø11	15.5
DN125	183	161 8 x Ø11	15.5
DN150	213	188 8 x Ø11	17.5

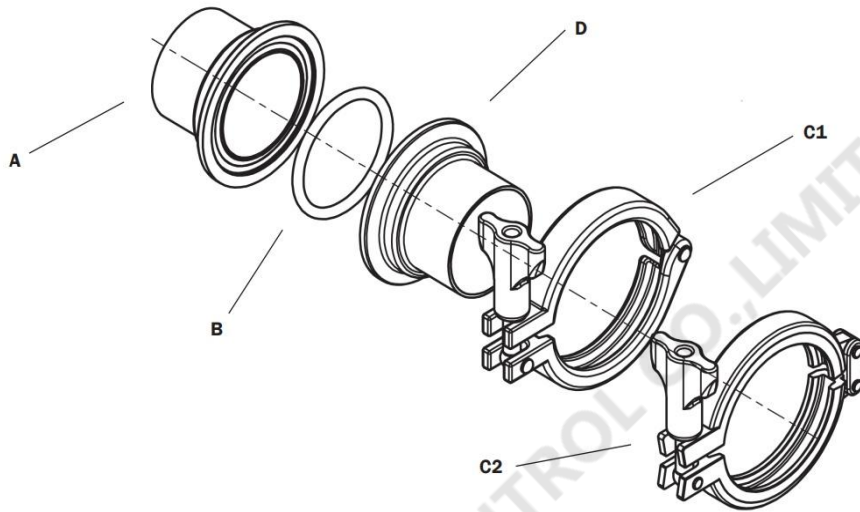


JO-11864-2-BLF

DIN 11864-2 Blind Liner Flange

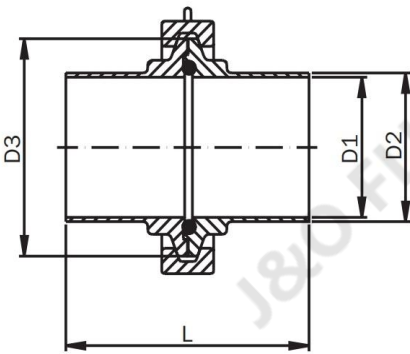
Size	D3	LK	L
DN10	54	37 4 x Ø9	10
DN15	59	42 4 x Ø9	10
DN20	64	47 4 x Ø9	10
DN25	70	53 4 x Ø9	10
DN32	76	59 4 x Ø9	10
DN40	82	65 4 x Ø9	10
DN50	94	77 4 x Ø9	10
DN65	113	95 8 x Ø9	10
DN80	133	112 8 x Ø11	12
DN100	159	137 8 x Ø11	14
DN125	183	161 8 x Ø11	14
DN150	213	188 8 x Ø11	16

Clamp Connections



- A** Clamp nut (NKS)
- B** O-ring
- C** Heavy duty clamp
- C1** Single pin
- C2** Double pin
- D** Clamp liner (BKS)

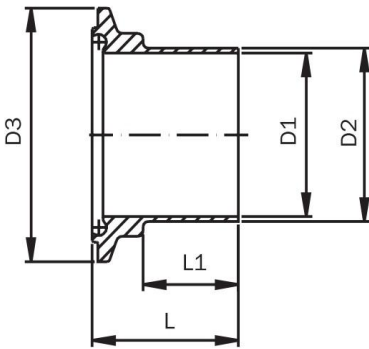
DIN 11864-3 Clamp Connection



JO-11864-3-CLC

Size	D1	D2	D3	L
DN10	10	13	34	76
DN15	16	19	34	76
DN20	20	23	50.5	76
DN25	26	29	50.5	77
DN32	32	35	50.5	88
DN40	38	41	64	88
DN50	50	53	77.5	89
DN65	66	70	91	113
DN80	81	85	106	117
DN100	100	104	130	120

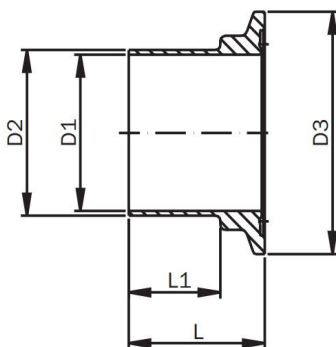
DIN 11864-3 Clamp Nut



JO-11864-3-CLN

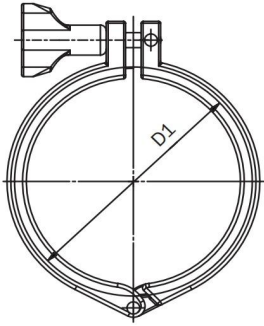
Size	D1	D2	D3	L	L1
DN10	10	13	34	39.5	26
DN15	16	19	34	39.5	26
DN20	20	23	50.5	39.5	26
DN25	26	29	50.5	40	28
DN32	32	35	50.5	45.5	30
DN40	38	41	64	45.5	30
DN50	50	53	77.5	46	30
DN65	66	70	91	58	40
DN80	81	85	106	60	40
DN100	100	104	130	61.5	40

DIN 11864-3 Clamp Liner



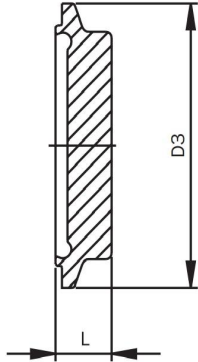
JO-11864-3-CLL

Size	D1	D2	D3	L	L1
DN10	10	13	34	38	26
DN15	16	19	34	38	26
DN20	20	23	50.5	38	26
DN25	26	29	50.5	38.5	28
DN32	32	35	50.5	44	30
DN40	38	41	64	44	30
DN50	50	53	77.5	44.5	30
DN65	66	70	91	56.5	40
DN80	81	85	106	58.5	40
DN100	100	104	130	60	40



DIN 11864-3 Clamp

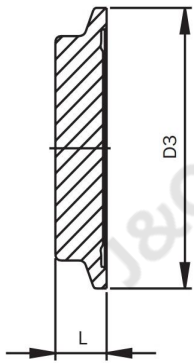
Size	D1
DN10	34
DN15	34
DN20	50.5
DN25	50.5
DN32	50.5
DN40	64
DN50	77.5
DN65	91
DN80	106
DN100	130



JO-11864-3-BNC

DIN 11864-3 Blind Nut Clamp

Size	D3	L
DN10	34	13
DN15	34	13
DN20	50.5	13
DN25	50.5	13
DN32	50.5	13
DN40	64	13
DN50	77.5	15
DN65	91	15
DN80	106	15
DN100	130	15



JO-11864-3-BLC

DIN 11864-3 Blind Liner Clamp

Size	D3	L
DN10	34	11.5
DN15	34	11.5
DN20	50.5	11.5
DN25	50.5	11.5
DN32	50.5	11.5
DN40	64	11.5
DN50	77.5	13.5
DN65	91	13.5
DN80	106	13.5
DN100	130	13.5